

Warning! Read this!!

The Auto-Thumper

The following fascinating information was sent in anonymously and is intended purely for information and entertainment. If you choose to experiment with what is described, you take full responsibility for your actions. We recommend that you seek qualified medical counsel if you have health problems.

To get a handle on Magnetic Pulsers, please check out the EXPLORE site at;

[Beck Magnetic Pulser.](#)

About six months ago I read the file on Bob Beck's magnetic pulse device.

I decided to build one, and try it out. I did so, using a 35mm camera flash. I saw immediate and dramatic results in a wide variety of applications.

The magnetic pulse proved effective against

- athlete's foot,
- earache,
- ringworm,
- psoriasis,
- bone-eating staph (advanced infection in a crush injury),
- acne (both chronic & acute),
- old acne scarring,
- gingivitis,
- oral & nasal cold sores (hs II),
- deep chronic sinus infection,
- infected blisters,
- cuts and splinter wounds,
- fire-ant bites, mosquito bites, spider bites,
- folliculitis ("sun-poisoning"),
- urinary tract & kidney infections,
- yeast infections,
- common warts (slow, but sure),
- tonsilitis,
- "death-breath" halitosis,
- armpit odor,
- foot odor,

- upper respiratory infections,
- and more.

I don't have all of the above conditions (fortunately!) but have been sharing the experimental technology around in a number of directions, and keeping track of the results.

There are indications it may be effective against the viral triggers of rheumatoid arthritis, MS, and similar conditions.

It apparently de-toxifies insect "venoms" somewhat as high voltage electricity is reported to detoxify snake venom.

This week, I have seen it dramatically reduce a hydraulic cyst on a persons' wrist. In four days or "light" therapy, the cyst went from hard, walnut-sized & turgid, to half-size, slack & wrinkled. (Beats the hell out of repeated surgery!)

I've also received reports that it has caused known precancerous moles to drop off, and diagnosed cancerous tissues (lesions) to flake away, leaving healthy tissue in place.

Most recently, I've seen it improve a case of Viet Nam jungle rot that the VA hasn't even been able to identify, much less treat. Clear white skin showing in the middle of the ugliest scaly purple blotches I've ever seen in just over three days. That was more relief (except for the "healing" itch) than the guy has had in 25 years.

So far, no contra-indications whatever, aside from one person who used it on a heart implant, which prompted an occurrence of rapid heartbeat, and one chronic dental abscess that apparently started healing so fast that pus pressure popped out an old filling, requiring a trip to the dentist.

This technology works. It works better than my wildest expectations.

Which brings me to the new stuff.

I made my first pulser out of a 35mm flash unit. I named it "Mr. Thumpy" because of the distinctive sound and feel of the pulse. "Mr. Thumpy I" lasted about three weeks, then his electronic guts melted away in a frenzy of over- thumping.

I went out & bought a new flash unit. "Mr. Thumpy II" was born, and died in the same fashion. So did "Mr. Thumpy III".

I kind of figured maybe the back emf was melting out the circuit boards, or they just couldn't handle that much continuous use--I must have spent \$50.00 on batteries, before I wised up & went to rechargeables.

There was a whole lot of thumpin' going on.

Enter...."AUTO-THUMPY"!

I went down to Radio Shack, and bought their "Room Strobe". About \$40.00, for a square wooden box with a big reflector on one side. The classic party strobe.

Inside, there's a teeny little circuit board with a 3-prong strobe light plugged into it.

I disconnected one outside lead on the light, and connected it to one coil cord wire. I then connected the other coil cord wire into the open contact on the plug.

This just put the extension cord & pancake coil in series with the strobe light--exactly as in previous versions, and exactly as described in Bob Beck's file.

The result was a machine-gun pulser: Auto-Thumpy. It hasn't melted out after hundreds of thousands of flashes over a four-month period of time.

Being conservative, I use it at a slow flash rate, about 1/sec. But it gets used a lot.

The pulse was a little frail, so I pulled out the small stock capacitor, and replaced it with a larger one from a 35mm camera flash--one from the melted circuit board of an early Thumpy.

I don't know the value of the larger capacitor, since it wasn't marked-- but it powered up the pulse nicely.

"Auto-Thumpy" can be run for hours at a time, shared by several people, and it just keeps on workin'. No batteries required--just a wall plug.

My minor technical modification could be posted as a footnote to Bob Beck's original file, and might make the use of his technology a little more convenient for some folks.

I've noticed that as minor chronic "background" infections get cleared up, I've suddenly become aware of their absence. And I seem to have more immune system resources available to deal with day-to-day problems.

I strongly recommend you adopt this technology if you have any kind of problem with unwelcome "colonists"--it's worth the effort, and the cost, a thousand times over.

Just one other small note: it's too early to be sure, but I think using Mr. Thumpy around my face has caused my beard to start growing in black.

I noticed the change when I saw a year-old picture that showed snowy white areas that are now about half-black, in a horizontal pattern. I'm 47, and greyed out in a distinct vertical pattern years ago.

I could care less about the color, but it may indicate a rejuvenation of the skin tissue, or some such. I'll be watching for further developments, and will keep you posted.

[Return to Thumpy Index Page](#)

—

The following instructions on how to wind magnetic pulse coils is extracted from Bob Beck's paper on the HIV Neutralizer. This coil is similar to those used with the Radio Shack strobe light known as the 'Mr. Thumpy' modification.

If you want to buy an off the shelf coil that works just fine, check out the end of this page.

Suggestions for Acquiring and Using an Inductively Coupled Magnetic Pulse Generator for Theoretical Lymph and Tissue HIV Neutralization

Revision December 18, 1995.

Note: These data are for informational and instructional purposes only and are not to be construed as medical advice. Consult with your licensed health practitioner.

In keeping with do-it-yourself inexpensive hypothetical approaches to self- help, the simplest and most rapid means for obtaining a capacitor-discharge magnetic pulse lymph and tissue pathogen neutralizer would be to find and modify a used functioning portable battery AND AC powered electronic flash (strobe light) for cameras.

These are acquired at swap meets, yard sales, pawn shops, or in junk boxes at used camera stores. Or purchase a new Vivitar (brand) model 1900 (\$22) carried at some professional camera stores. This compact, light weight, inexpensive, rapid recharging flash is only 17.5 Watt-seconds power but is readily available and easily modified. It works well enough for casual use but runs on batteries only so has greater operating expense than an AC/DC unit.

California swap meet prices for USED strobes range from \$4.00 to about \$18.00. One Sunday the writer found a dozen ac/dc strobes, all in good working condition.

Carry four AA batteries with you so you can test flash units before purchasing.

I chose to modify a long-discontinued Vivitar (brand) model 110 because it was larger than the rest and seemingly more powerful, however almost any brand or model of comparable output power (35 watt-seconds) should work. **PREFERABLY SELECT ONE WITH 115V AC AS WELL AS BATTERY OPERATING (DC) CAPABILITY.**

FIRST WIND THE APPLICATOR COIL. Junk VHS videocassette reels are cheap, plentiful and adequate for this application. Remove 5 screws from shell, remove reels and discard tape. Be SURE alternative spools (if used) are non-conductive or system will not work. Avoid shorter length VHS tape reels which may have center hubs larger than 1" dia. and won't hold sufficient wire.

Drill 1/4" holes through hub and through center of flange(s).

Make two 4" discs from 1/4" thick plastic or fiberboard, drill 1/4" center holes and another 1/4" hole off-center so coil's inside lead wire can be pulled through.

These stiffeners will sandwich reel's flanges so they won't warp or split as wire pressure builds up while winding progresses. A 2" (or longer) 1/4-20 machine nut and bolt with washers through centers will clamp flange stiffeners and reel and also provide a shaft to hold in a variable speed drill motor or similar winding device if used. Then remove bolt and stiffeners.

SPECIFICATIONS: ~130 turns #14 plain enamel insulated copper magnet wire wound onto ~1" ID hub and ~3-1/2" OD VHS spool with a gap width for wire of ~5/8". Scrape enamel insulation 1/2" from end.

Pull inside end of magnet wire through hub and stiffener and to outside. ~130 turns (about three 1/2 Lb rolls spliced together) should fill spool.

Remove bolt, stiffeners, and finished coil. Now solder ends of 3 ft of HEAVY two-wire extension cord to each side of coil.

Finished coil weighs ~1 LB 3 oz, has ~0.935 millihenry inductance, 0.34 W resistance, and takes ~20 minutes to hand wind or ~3 min. with drill motor.

David Cowlshaw used fingernail polish to secure the wires in his coil, this prevents motion of the wire when the magnetic pulse fires. You could also use RTV/silicone or other caulking compounds not only as insulators but for motion suppression.

An excellent alternative is an AMS brand air-core crossover inductor for home audio, MCM Electronics, Centerville, OH 45459, (800) 543-4330 catalog # 50- 940, #16 gauge, 0.58W, 2.5mH, 2-7/8" dia., \$10.65.

STROBE MODIFICATION consists simply of wiring the finished applicator coil with 4' ft. leads in series between the flash tube and its storage capacitor. Be extremely cautious when working with case open because a strobe's capacitor can hold a residual high-voltage charge for a long time even when off.

Before modifying and to avoid shock, short out the capacitor by placing clip leads directly across the flash tube.

Remember to remove this shunt later. To install coil, unsolder either wire from flash tube and connect one lead wire from coil to that side of tube.

Connect the other lead from coil to the wire you just removed from tube. Insulate connections with tape.

This places your coil **IN SERIES** with the flash tube and enables the tube to act as an ionized gas relay or "thyatron" that dumps most of capacitor's stored energy through coil when fired.

Lamp will still flash but less brightly. Cover flash window with black paper. Replace case. You're done!

IS IT WORKING PROPERLY? A good way to test for strength of pulsed magnetic energy is to lay a thin steel washer (one strongly attracted to magnet) flat on top of coil, 1/2" off center. A 1" dia. fender washer with 1/8" center hole works well.

Let the flash unit charge for about ten seconds plus or until the strobe's ready light comes on then push flash button and see how high the washer is kicked by Eddy current repulsion.

A 35 watt-second strobe repels a washer about 14 inches vertically.

Think of your pulsed coil as the primary of a transformer and anything conductive nearby (living tissue included) as the secondary into which current is induced when cut by coil's time-varying magnetic lines of flux.

Your do-it-yourself magnetic pulse generator delivers a measurable output intensity **SEVERAL THOUSAND TIMES** more powerful during each cycle than \$7,000.00 German Magnetotrons, Elecsystem Biotrons, or Canada's Centurion devices widely exhibited at holistic medical expos, none of which is **NEARLY** powerful enough for HIV, herpes, hepatitis or Epstein-Barr neutralization or adequate electroporation.

It is also functionally similar to the Diapulse miracle-working healing modality when coil is applied over liver and other organs.

Magnetic fields and therefore induced currents penetrate **ALL** body cells, bones and tissues in proximity to coil (effective approx. 4 inches deep) and can theoretically neutralize electro-sensitive viruses such as herpes B, HIV, hepatitis, Epstein-Barr and possibly many others as yet undiscovered that can hide **WITHIN** nerve sheaths and are therefore untouchable via immune system, white cells, or injectables.

This may account for the impossibility of curing many known chronic infections via pharmaceuticals, antibiotics, or any presently known conventional treatments other than electrotherapy.

Use pulser on body sites daily concurrently with blood clearing. This pulser is considered safe to use anywhere on the head, chest, and body except with cardiac pacemaker users.

TO USE, press fully insulated coil flat against body over lymph glands and other selected locations. Let strobe build up to full charge (about 10 seconds or longer between pulses) and fire coil while contacting each site.

Subjects will feel no physical sensations except for light thumps during this phase of treatment. Exposure levels are considered safe because intensity of this magnetic pulser is much lower than Magnetic Nuclear Resonance Imaging in routine use on tens of thousands of patients.

But should subject feel headachy, nauseous, sluggish, or display flu-like symptoms after exposures with either of these two devices, reduce number of pulses or duration of blood clearing process and drink more water.

If immune system is very badly damaged, you may need to repeat all routines after several months to insure permanent and complete neutralization.

WHEN USING, KEEP COIL SEVERAL FEET AWAY FROM CREDIT CARDS, WATCHES, MAGNETIC TAPE, COMPUTERS, FLOPPY DISKS, HOMEOPATHIC REMEDIES, ETC., since its powerful magnetic field can de-gauss and erase magnetic data as well as subtle energy potentized medicines. As an unanticipated serendipity, pulsers are reported to erase deeply rooted lymph and tissue pathology and possibly even classical miasma's as well as many other microbes, fungi, bacteria, parasites, and viruses.

Flash should preferably be used with AC power to save battery costs since you'll only get about 40 full pulses per new set of alkaline batteries. For sanitary purposes, enclose coil in plastic zip-lock sandwich bag discarded after each user. When treating numerous subjects if there's no AC adapter it is economical to purchase and utilize a small rechargeable 6V lead-acid motorcycle type storage battery.

HOW MUCH SHOULD THIS COST? Used electronic flash lamps cost approx. \$4.00 to approx. \$18.00. Three 1/2 LB spools of #14 magnet wire retail for \$9.66 ea. at Action Electronics. (You'll need approx. 1-1/2 LB) 4-AA alkaline batteries, \$ 2.89. A 12 ft #14 X 2-wire 15 amp. AC extension cord costs about \$2. and makes 4 sets of leads, or use heavy-duty speaker wire. VHS spools approx. 50¢. Wholesale wire from \$2.50 to \$4.35/ LB in 10 LB rolls at Pacific Wire & Cable, 1228 S Village Way, Santa Ana, CA 92704. (714) 558-1864 approx. 1 week delivery. approx. \$15. MINIMUM / \$60.50 MAXIMUM.

Gene Saunders found off the shelf coils that will work fine and save you the trouble of winding your own.

A company called Parts Express (800) 338-0531 or <http://www.parts-express.com> sells two different types of coils.

A wound 14 gauge air coil rated at 2.5 mH at .36 ohms that is 3 and 11/16" in diameter is available under part number 266-380.

According to Beck, the hand wound coil you would wind up with should be rated at ~0.935 mH (millihenry inductance), 0.34 Watt resistance.

Another interesting coil Gene mentions is rated 14 gauge, goes up to 4.7 mH at .52 ohms and has a diameter of 4.24". The part number for this coil is 266- 738.

[Return to Thumpy Index Page](#)

More Anecdotes of the use of Mr. Thumpy

From: [David E. Cowlshaw](#)

To: [Jerry Decker](#)

Subject: Mr. Thumpy addition - DavidC - 12 September 1997

Date: Fri, 12 Sep 1997 23:40:11 -0700

Jerry;

I just read your "anonymous letter" concerning the Beck electromagnetic device called "Mr. Thumpy". I have had direct contact with the author (as least his writing style and knowlege, including my negative reports of the device's use are VERY familiar!).

I didn't believe the "over the top" claims made in our email correspondence, and passed it off as a "true believer" type of hearsay phenomenon at the time.

The negative reports (a "rejected tooth" implant, and a heart implant anomaly) were my reports of possible dangers, having tried the device after the parts to assemble the device were forwarded to me in the mail.

Having respect for one individual going out of his way to show me a possible new reality, out of guilt (and admittedly, respect) I assembled and tried the device, my wife then tried it, and after some amazing results, my mother tried it.

I first noticed my teeth solidly cemented in my head, I didn't know I had loose teeth until after 2 days of treating a case of "rosacea" (adult acne) on my face, and running the device about my jawline, to see if a chronic case of gum infection would be reduced or eliminated as reported to me was possible.

Guess what? The damn thing worked!!!! Surprised and amazed?, You bet!

I can snap my jaws and a block away you can hear the resonance! My rosacea diminished to the point where I wasn't pulling scabs and bleeding every day.

I've tried it on an embarassing problem I've had since my military days, you know, uuhhhh, Hmmm, mmmmeroids (shuffle, blush), and, well, for over 20 years I've had to pull extra toilet paper to stem the red tide, NO MORE! (extra vitamin C also helps).

I did in fact buy a party strobe and made the "Mr. Auto Thumpy" using one pound of number 14 wire wrapped on a VHS reel, and patching into the circuit board to make the series connection through the gas discharge tube.

I didn't get electrocuted (I wisely unplugged the device before messing with the circuitry). I used 10 feet of the largest "speaker wire" zip cord Radio Shack had to offer for the patch cord to the coil.

I also locked the coils together with a cheap bottle of fingernail polish on each layer, my "Mr. Auto Thumpy" doesn't thump, in fact it barely clicks, but the magnetic field is stronger as a result of not wasting energy on wire movement.

I have tried it on a case of (how to politely phrase this, ummm, heat rash?) to diminished effect and had to resort to normal over the counter remedy, but feel it has helped.

To assist in this report, my wife will now continue:

Hi, all.... Yes, gum infections vanish, however, my one "silver-point" root canal became a focus for a major abscess. Upon removal, both eustachian tubes cleared (15 minutes later) and sinuses drained copiously. I've used Mr. Thumpy on mosquito bites - stops 'em dead, no itching, just a pink dot.

I have had several precancerous lesions peel off and have been watching to see if more of those "funny freckles" appeared.

They have and are now mostly peeling off, leaving clean, new flesh.

Several scars from years past (on my hands and fingers) are considerably smaller, just very fine silver lines, than they were.

Ok, R. is short and to the point (me again), what she didn't say was that she had an earache for two weeks before the device was used, and the extracted tooth was rotted to a spike of metal in her jaw (got to document these things), that the dentist was amazed had lasted as long as it had.

The "funny freckles" were something my fingernails raked for over five years, now no longer an absent minded entertainment for my hands to pursue.

Mother tried the device over a "stint" (an expanding mesh tube of stainless steel used to open a narrowed heart artery) and experienced an elevated heart rate, and since hasn't used the device near her artificially enhanced heart.

The doctors have carved out a big chunk of her nose in the past for skin cancer, and the opposite side was exhibiting the same symptoms, an open weeping sore that wouldn't heal, and after a few continued "thumps" everything is normal on her probosus again.

Mr. Thumpy doesn't cure everything, and should be used with caution around artificial implants even remotely antagonistic to the body, but other than the "can't regrow a severed limb, and don't try to heal an artificial construct", I have found no harm in the device, and much good.

If you are fool enough to not know how to work with electronic circuitry without unplugging it first, or that a capacitor can hold a bite, don't try this at home!

We've been told that living under high voltage wires is harmless (ya right!) but a short and rapid EM pulse may endanger our health, I have reservations as to the veracity of the "experts" and will stick with results.

David Eugene Cowlshaw - Silverton Oregon - 12 September 1997

PS: Jerry, you may quote me and attribute these words to me, they are true to my very best attempt at the concept. The Anonymous contributor to your site is also of a stand up nature, but for some reason believes the AMA (Alopaths and Mayhem Association) is more frightening than the Oil companies and Military intelligence, and I will respect his wish to remain a contributor of masked and backlit nature.

Please add my comments linked to the series of documents involving this device, I wouldn't have believed the potential until I tried it, and while still having some reservations, it has performed some minor miracles in my neck of the woods, and believe it deserves more study..... davidc@open.org

Thanks for your efforts to help us all! - DavidC - A Quiet night in Oregon.

<http://www.open.org/davidc/UFODrive.htm> (in case you forgot the connection!)

[Return to Thumpy Index Page](#)

Posted on the KeelyNet BBS on September 2, 1993 as PAPIMI.ASC, courtesy of Ray Berry.

Dr. Frome's One-Hour Aids Cure?
by Joe Seldner
from 'Los Angeles Magazine', July, 1993

It looks like some makeshift gizmo out of Mr. Wizard: a wooden box, about the size of a steamer trunk, slapped together with one red and one green plastic button and one small plate of glass on top. Then there's that garden hose-like thing, wrapped in black electrical tape with a loop on the end, coming out the side.

But it works like something out of Frankenstein. You know, where the grotesque patchwork cadaver is hooked up to a glob of wires, then hoisted to the very top of the laboratory during a frightening storm, where it's pummeled by bolts of lightning until it comes to life. Someone surely had a perverse sense of humor to nickname the PAP-IMI-300 "Lightning in a Box."

Although it was initially designed to treat cancer and is currently used to bring relief from pain, what PAP-IMI may--and that's an emphatic may--be is another kind of giver of life, one in the treatment of AIDS.

It must be stated up front that no one, including its prime advocate, physician-pain specialist-lawyer entrepreneur Bruce Frome, is claiming Lightning in a Box is a cure for AIDS. Nor is there any medical data on what exactly the machine does. But Frome--and the patients who have come to him to be electrically charged by this oddly primitive device certainly believes in its potential.

"If I had AIDS, I'd get this treatment," says Frome, whose many attributes don't include humility. After all, it was he who--as he puts it, simply and unabashedly--"changed the photo industry" as the founder of Fromex, the one-hour photo-processing shops that continue to dot the local strip-mall landscape, even though he no longer has anything to do with them. But Frome's lack of modesty is matched only by his patients' unwavering faith in him.

"It makes them feel better," he says "probably prolongs their lives, certainly improves the quality of their lives and gets rid of a great many opportunistic infections" that might otherwise kill them. If this sounds like a medical claim, it isn't, insists Frome. In fact, as he and his colleagues at his Westwood-based International Pain Research Institute await permission from the Food and Drug Administration to conduct three-month clinical trials with the PAP-IMI on more than 80 AIDS patients, at this point there is only anecdotal evidence from patients to support the curative powers of the machine.

Because the debate over AIDS treatment is, if you'll pardon the expression, so highly charged, people involved in potential modes of treatment choose their words carefully.

The actual inventor of the PAP-IMI, Panos Pappas, a 44 year-old Greek physicist now on sabbatical from the Technological Educational Institute in Athens and based at Frome's

institute, describes in energetic detail how his machine functions, but he stops short of fanciful conjecture about its applications.

A short, balding man with a thick accent, Pappas says the machine--which he invented in 1988 with the intention of using it to treat cancer cells--is "like an electrical storm... that changes the coding of the HIV virus." According to the thick document submitted to the FDA, the PAP-IMI "induces an electric current that disperses electric charges or ionic concentrations inside biological tissue of the affected organ," causing "beneficial biochemical changes."

In overly simplistic laymen's terms, that means it charges the cell's battery, making it better able to fight the common infections associated with AIDS, such as herpes, diarrhea and pneumonia.

An expert in the study of lightning, Pappas, who holds patents on many devices, including ones that protect ammunition depots from lightning strikes, notes that "lightning created proteins before life existed on this planet." He insists his machine can reduce pain, make hair grow and make wrinkles go away, all through its regenerative powers. When asked whether he would use it on himself to grow hair, he seemed surprised, replying, "Directly on my head?" He did recover enough to say he would be willing to do so at frequencies lower than the 22,000 volts used on patients.

When pressed about its AIDS potential, in fact, Pappas tends to defer with a "you need to ask Dr. Frome about that." Since Frome is providing money, office space and exposure for Pappas--now officially a "consultant" at the clinic, working on further applications of the PAP-IMI-- the deference is understandable. Still, there is also something in his demeanor that says, "Look, I hope this does what everyone wants it to do, but I'm just a lightning expert, okay?"

Despite his hubris, Bruce Frome is a likable fellow, flitting from room to room in surgical greens that do little to hide his prosperous midsection, a kind of swaggering Pillsbury Doughboy.

His office is a tiny, cluttered, windowless chamber in the middle of the clinic's first floor. In fact, much of the clinic, which just opened in January, still has the feeling of a household living out of boxes. The waiting room, though sparsely furnished, is awash in a sea of diplomas and declarations.

Overachievement is something of an avocation for Frome. In addition to an array of medical credentials, including a medical degree in 1962 from the University of Manitoba and a stint as head of anesthesiology at Daniel Freeman-Marina Hospital in Marina del Rey, the Canada native holds a law degree (University of West Los Angeles), a doctorate in health management (Kennedy-Western University) and is--yes--a licensed real estate agent.

The story of how Frome founded his revolutionary photo house, Fromex, like the virtues of his PAP-IMI device, depends on whom you ask. His version has it that in 1979, executives from the Japanese company Noritsu "came to me" with the breakthrough photo-processing technology in hopes of getting a U.S. foothold. Asked why they came to a Los Angeles doctor, he repeats his mantra: "I was known to be an innovative guy."

However, reports published at the time state that a relative of Frome's saw the technology at a Canadian trade show. When Frome heard about it, he was intrigued and went to Noritsu. Wherever the truth lies, what is not disputed is that Frome opened the first storefront operation of Fromex that year in Encino with his capital and their technology. ("I was the only one in the world at that time.") Quickly--perhaps too quickly--he sold franchises across the country. He fondly recalls leaving Daniel Freeman on Thursday nights, "taking the red-eye somewhere, finding a lease and opening up a store."

The company was undercapitalized, and three years and 108 stores later, the bankrupt concern was sold to a New York businessman, who retained the Fromex name. Frome is proud of the fact that during all of his other ventures, "I never stopped practicing medicine," and continued as chief of anesthesiology at Daniel Freeman.

But, he says, "most anesthesiologists don't like talking to people--that's why they go into it in the first place." And Frome wanted to concentrate on treating patients' pain, not on putting them under. So in 1987, he opened his first pain clinic, the Marina Pain Center in Marina del Rey.

Three years later, he teamed up with Atlanta's Premier Anesthesia, and that center became the first of four National Pain Institute sites. The other NPI clinics--in Huntington Beach, Santa Monica and Atlanta--all opened within a year.

A year later, however, he decided to sell his interest in NPI to Premier. The research he was doing, he claims, was "risky," and NPI's shareholders wanted the more secure revenue stream of treating patients. So he has taken that risk at his new center. "Here, we do all the things nobody else does," Frome boasts.

Apart from the PAP-IMI, his innovations include extensive work on biofeedback and the treatment of pain with a machine called the Pneumatherm, which, like the PAP-IMI, was invented by another researcher but put to use by Frome. The Pneumatherm "heats the deep tissue," he says, penetrating as much as four centimeters instead of the one centimeter of more traditional treatments.

Because the treatment "fools the brain into thinking you've been burned," patients generally fall asleep but awake refreshed and, they say, in far less pain. Frome heard of Pappas' work in late 1991, while trying to find an innovative treatment for his father-in-law's brain cancer. He was told--incorrectly--that Pappas had a treatment for brain tumors that was not available in the United States. It turned out that the PAP-IMI did not work on brain or nerve cells but did have far-reaching pain implications, and a six-month telephone correspondence began before Pappas came to Los Angeles in May of last year.

If there are doubts about its value as an AIDS treatment, Lightning in a Box seems to have nothing but support from his pain patients. Dennis Tanenbaum, an L.A. architect and engineer, was working on a project in Belize in 1985 when a deranged local, for no apparent reason, came up to him with a machete and hacked off his leg just below the knee. "I just sat there and waited to die," he recalls.

After many doctors and much futile treatment to get rid of his pain, Tanenbaum was ready to give up and even considered doing himself in, when he came to Frome late last year after

learning about him in an ad for the National Pain Institute. The PAP-IMI zappings to his leg stump have "given me my life back," he states.

Then there's Tom Norris, a retired military maintenance officer who says radiation damage from treatment for testicular cancer left him in excruciating pain, nearly unable to move for two years and fed up with both military and civilian doctors. "The military doesn't believe in pain," he laughs, and doctors at UCLA told him to live with it because nothing could be done.

"Dr. Frome was the first doctor I'd seen out of hundreds who really cared about me and gave me hope," Norris says. After starting treatments with what he calls the "electric doughnut" in January of this year, he says, "I now have a life, where I didn't have a life before."

The PAP-IMI works on standard alternating current and is "noninvasive"--which means the patient remains clothed and seated and simply puts the looped hose on his chest, neck or other targeted area. As the current pulsates through the loop, it feels like a continuous minor electric shock--less intense than sticking a finger in a wall socket.

The process appears to increase something called the transmembrane potential of cells--the voltage between the inner and outer sheaths--from around 15 to 75 millivolts, or from unhealthy to healthy levels. Patients currently being treated for pain or other symptoms come in to use the device for 20 to 30 minutes, once or twice a week. In the proposed clinical trials, there will be 36 treatments over the course of three months, each lasting 30 to 60 minutes. The effect, patients say, is immediate. Fatigue seems to be the first victim, with patients who normally go to bed by 9 reporting they stay up into the wee hours of the night of a treatment and still wake up refreshed.

This relief may, of course, be just a "jolt factor"--something like drinking 8 or 10 Cokes. And both patients and Frome warn that the rush wears off fairly quickly, as does the impact on such other symptoms as diarrhea and lung infections, unless a rigorous treatment schedule is maintained.

The first inkling Frome and Pappas had that the machine had applications for AIDS came when a patient being treated for AIDS-related pain noticed that his Kaposi's sarcoma lesions cleared up soon after using the PAP-IMI. "We thought, Hmmm, this is something we should look into," says Frank Mingarella, an administrator at Frome's clinic.

Though it has still been tried in only nine AIDS cases, the patients themselves are emphatic. "My life has changed dramatically since I started coming here," says Brett Smiley, a 37-year-old HIV-positive actor-cum-waiter, as he sits patiently with the loop on his chest, the machine gyrating and pulsating away like Walter Mitty's "pocketa" machine.

Smiley says herpes outbreaks that used to last for weeks now go away in a matter of days. He, too, claims to have much more energy. It is only when he says that his T-cell count--the government's key defining factor for AIDS classification--has improved that doctors quickly intervene to warn against jumping to conclusions. It may increase T-cell count, says Frome, but that is precisely why he wants FDA approval for clinical trials -- to gather evidence to support the testimonials.

Also, he says, because the AIDS virus "multiplies so fast," the effects of the treatment may last only days, or hours, with the infections, fatigue or other symptoms rapidly returning. On the plus side, no adverse side effects have yet been reported.

Naturally, there are skeptics. Dr. Castoria Seymore, chief of anesthesiology at Daniel Freeman-Ingleswood, agrees that Frome "is a great entrepreneur." But he reflects the medical community's general opinion about the new territory Frome is traversing. "Pain is the big thing now," he says, explaining all the money and attention Frome's clinic is getting. But "I'd wait until I got some definitive data" before trumpeting the virtues of the PAP-IMI in AIDS treatment, he adds.

Dr. Michael Gottlieb, who first recognized AIDS as a new disease and is considered one of the country's foremost AIDS authorities, has one patient currently being treated with Lightning in a Box. Although Gottlieb, now in private practice in Sherman Oaks, says he doesn't know the treatment in detail, from what he does know, "it doesn't make sense." When we asked if he would recommend that his patients go to Frome, he said no.

Then there's Steven Kaali, of New York's Einstein Medical College, who is also working on the effects of electromagnetic current on the AIDS virus-- though his method applies electrical current directly to the blood through a kidney dialysis-like procedure. Kaali points out that an increase in a patient's T-cell count doesn't necessarily mean the patient is improving--the count can actually go up during an AIDS-related infection, as cells try to fight the disease. And Kaali, who says he is not aware of the device or of Frome's efforts, cautiously adds, "I appreciate everybody's results as long as they are reproducible. If they are not published and FDA approved, I am dubious."

Scott Hitt, a physician at Pacific Oaks Medical Group and a board member of AIDS Project Los Angeles, cautions that "so many leads like this go to a dead end... You have to cross-examine the hype before you hype it."

Ironically, Frome seems to agree. "I have people coming out of the woodwork literally every single day, bringing me stuff - cures for cancer, AIDS, all this weird holistic stuff." In a characteristic Frome flight from modesty, he adds, "I seem to have a special knack to filter out the bullshit... and find out if something works or not."

That, of course, is why he has submitted the clinical trials protocol to the FDA. Also, by submitting it as a potential AIDS treatment, it gets "fast-track" approval or denial in the current AIDS-crazed climate. (The FDA won't comment on requests or other materials pending before it.)

If Frome's radar is working and the PAP-IMI does in fact have a significant effect on the AIDS virus, the implications could be remarkable. But the down side is formidable, too. Pappas says Frome is "risking his reputation" by putting his faith in the device. Indeed, during the reporting on this story, several calls from colleagues at his pain institute tried to put a damper on Frome going public with his enthusiasm. The reasons ranged from a "fear" that the clinic would be besieged by AIDS patients wanting to be part of the trials to a "concern" that the FDA would look unfavorably on the clinic for "going public" before the approval process runs its course.

But Frome clearly revels in it all. One gets the impression that he sees himself as a cross between Ben Casey and Donald Trump (mid-'80s version). He takes a purse from a cabinet in his office and pulls out a small-caliber pistol. A despondent pain patient gave it to him, he says. She'd asked him to hold it until she got to the point where her pain was so bad she'd want to use it. Now she jokes about it, because her pain is gone.

"He does feel comfortable about what he is able to do," laughs Richard Jackson, chairman of Premier Anesthesia, which put an estimated \$6 million into Frome's pocket with the NPI acquisition. But he insists Frome has the talent to match his ego. "He's really a pioneer in medicine," he says.

No one agrees with that more than Frome himself. "I'm an innovative guy," he muses. "Everybody knows I'm an innovative guy." And though he won't make specific medical claims about Lightning in a Box, he will say this: "The guys on the Nobel Prize committee are friends of mine," adding that the son of one committee member was "sure that this thing is a cure for AIDS."

[Return to Thumpy Index Page](#)

Degaussing for Pain Control - 12/31/97

Date: Wed, 31 Dec 1997 09:24:03 -0500
From: Anonymous (private experimenter)
Subject: My Experience in Bio-Magnetics...
To: Jerry Decker

Hi Jerry,

We chatted some months ago about the Muller o/u machine and I thank you for your information. Now I would like to share some info with you.

Another "experimenter" asked me to do some more work with Bio-Magnetics. Specifically, magnets to ease pain....being my elder he suffers more joint pain than I do, but I have my share also.

He has been using ferrous magnets to ease hand and wrist pain. I too, suffer the old keyboard syndrome. On returning home, I dug out some of the magnets I was using on my Newman's o/u machine and tried placing them close to my wrist. After some hours the pain did seem to subside somewhat.....

Being a student of instant gratification, I began looking for a faster way. I dug up one of the Thumpers I built some months ago and tried that. Not much change. (not instantaneously anyway...) Then it occurred that I might try the Radio Shack audio tape degausser I had in my shop.

Bingo.....!!!

Almost instant and sustained relief.... Not to be fooled by psychosomatic relief, I waited till the next day to retry. To my surprise I awoke with almost no pain. Later, when the pain became noticeable, I applied the degausser again. Same positive results.

My wife suffers severe hip pain in the evenings and I talked her into trying it out before bedtime.....Yep....not total, but, to quote her, "about one tenth of the pain it had been." Next day my shoulders began hurting due to long hours at the desk and I tried an old TV CRT degausser. Same results...

Instant and sustained pain relief. The wife (now believing that I'm not as crazy as she had thought) asked to have the audio degausser applied to her shoulder, which had been quite painful for several days..... Once again, instant relief which lasted all day and didn't come back.

I am offering this to anyone who would like to try it and see if it works as well for them.....

I'd like nothing better than to put a bunch of medical doctors out of business.....

They just can't understand non-invasive, non-narcotic pain relief..

PS: Will let you know how the Newman machine works out. Just came across some innovations in improving it's operation. Also, plan on trying to work some of the bugs out of Tesla's notes that have survived.

I have always admired his work and hope he will eventually get the recognition he so richly deserves.....

Also, have built one of the "Experimental Bio-Electric Machines" you posted 10/21/97. So far the results have been more along the lines of stress and tight muscle relief as opposed to relief from Bio-Organism invasion.... All results have been very positive....More later.....

[Return to Thumpy Pain Control Index Page](#)

High Power Magnetic Impulse Experiment - 12/02/97

*** The following file is an *anecdotal account* from a party who wishes to remain anonymous. It is purely for entertainment and in no way is it being recommended as a treatment. See a qualified medical practitioner if you have medical problems. ***

Got an interesting call the other day from a fellow who had been suffering from a hiatal hernia. He said this caused a kind of acid reflux which gave him pain after eating. The temporary solution was to take \$3.00 capsules which would alleviate the pain for a brief period.

After reading about the work of Gianni Dotto and several other files on high density magnetic fields, this fellow decided to try an experiment.

As I understood it, high density magnetic flux lines when pulsed near the body will induce a higher electrical potential in the cells.

Based on this, a length of #9 solid core insulated copper wire was wrapped around the subject's chest area. This wire was connected through an off-the-shelf automobile STARTER SOLENOID. The starter solenoid was connected to a 12VDC deep cycle marine battery.

The idea was to use the starter solenoid as a momentary switch. When the battery current rushed into the coil of wire, it would produce a fast rising high density magnetic current that would fully saturate tissue within the coil.

The North end of this coil should be at the top end of the body, the South at the lower section of the body.

It was estimated that an approximately 2000 ampere current at 12VDC was sent through the coil.

Our anonymous friend reports an IMMEDIATE cessation of pain with no recurrence of the reflux problem. He went on to zap himself a few more times for good measure and each time he felt better and more energetic.

This information was passed to another fellow who suffered from a bone injury in his arm from a Viet Nam incident. He zapped himself with the arrangement and reported instant cessation of pain after years of discomfort. In addition, he said his weak arm which had the bone condition was now much stronger than his 'good' arm.

The recounter of this story says he thinks the high intensity magnetic impulse causes the DNA to constrict momentarily. I don't see how this would alleviate pain in itself and at this time there is evidence for why the pain goes away.

Dr. Pappas has patented a similar technique and has an idea of why it works, see the Pappas Pain Control Device at the bottom of this file for more detail. Bob Beck also has a magnetic impulse version of his HIV Blood Neutralizer circuit that is intended to clear the lymph nodes. It is also listed at the bottom of this file.

Quite a novel story which the anonymous reporter swears is true, at least he said it worked for him and his friend. I think the beauty of it is the pure redneck experimenter attitude, using off-the-shelf components in a simple configuration to produce results.

[Pappas Magnetic Pain Control Device](#)

Original Bob Beck [HIV Blood Neutralizer material](#)

[Low Level Magnetic Thumper Index](#)

Update on New Rife Experiments and miscellania - 09/01/97

Imagine a pager-sized, portable Rife plasma wave device using a NEON tube as its tuneable emitter. Recent experiment reports by anonymous sources have shown that off the shelf neon lamps (about .40 each) can be driven using mhz signals to destroy disease by resonance. Since they are plasmas ignited and sustained by a minimum 70volt AC signal, they can easily be modulated with RIFE frequencies.

A local early RIFE researcher and source of the Blaster5 program confirms that all of his many experiments using audio modulated Rife frequencies could be carried on any wavelength, ranging from CB radio to any color of laser light.

This contact also reported that the reason you don't hear much about 'HIV tainted' blood from blood banks recently was due to use of RIFE frequencies to kill HIV and other parasites beginning in 1987.

He also reports a local TV broadcast a couple of months ago at noon on Channel 5 that was from a Minnesota company who claimed to have developed just such a laser decontamination process (using RIFE frequencies modulated onto the laser beam) and was urging the FDA to allow them to sell it commercially.

Efforts were made by this same researcher to secure a videotape of the broadcast without any cooperation from the TV station. Nothing else has been broadcast to his knowledge about this new technology. This is not the ozone/UV system which bubbles through the blood.

Three other points of interest that are non-Rife but intriguing, Cheyenne Turner informed me of a new device that induces hypothermia(?) by using a metal heater inserted in the rectum and set to 113 degrees Fahrenheit. The idea is to heat the blood passing through the large arteries in that area, which would cook any parasite and is said to have positive results with cancer.

The other comment was about a new book claiming that your blood type determines what types of food you need to eat for optimum health and energy. One type needs primarily meat, another type needs primarily fruits and yet another needs primarily vegetables. Changes in the diet to fit the blood type are said to be remarkable.

The third comment was from our last Roundtable where we discussed a post stating that microwaved food caused changes in the food nutrients which changes your blood when eaten. Dr. Bob in our group said that applied only to foods that were COOKED, not SIMPLY REHEATED....seeya!

-

How to make your own Colloidal Silver

Date: Tue, 08 Apr 1997 02:25:15 -0700

How to make Colloidal Silver

How I ended all disease with three nine volt batteries.

"We now know what 'wealth' is. Wealth is the ability to re generate life. How many people can you take care of for how many days?" - Buckminster Fuller

Imagine having your own hospital. Not just any hospital either. After all, the mortality rate generally drops when hospitals go on strike. (1,2,3,4) Death due to toxic drugs, unnecessary treatment, rampant ignorance and a sea of antibiotic-resistant bacteria make most hospitals the Devil's own playground. No, I'm talking about a hospital that makes people well again. Now, imagine that your new hospital is essentially cost free, works anywhere and is the size of a transistor radio, neatly fitting in your shirt pocket. Impossible? Not at all. The only thing unbelievable about it is that every American doesn't already have one.

The "hospital" I am talking about is a Colloidal Silver generator. Silver is a powerful, natural prophylactic/antibiotic, used for thousands of years. Ancient Greeks lined their eating and drinking vessels with silver, as did many other cultures throughout the world. (5)

Pioneers of the American West would put a silver dollar in a jug of milk to keep it fresh without refrigeration.(6)

Did you ever wonder why silverware was made from silver? One of the properties of silver is that it kills bacteria on contact in six minutes or less.(7) It may be that gold and silver were first used as valued currency because of their medical properties.

Dr. Robert O. Becker, "The Body Electric," recognized a correlation between low silver levels and sickness. He said silver deficiency was responsible for the improper functioning of the immune system. Dr. Becker's experiments conclude that silver works on the full spectrum of pathogens without any side effects or damage to the body. He also states that silver does more than kill disease-causing organisms.

It also causes major growth stimulation of injured tissues. Burn patients and even elderly patients notice more rapid healing. And he discovered that all cancer cells can change back to normal cells. All strains of pathogens resistant to other antibiotics are killed by silver.

What is Colloidal Silver?

Colloidal Silver is the result of an electro-magnetic process that pulls microscopic particles from a larger piece of silver into a liquid, such as water.(8) These microscopic particles can more easily penetrate and travel throughout the body.

Colloidal Silver works as a catalyst, disabling the enzyme that all one celled bacteria, fungi and viruses use for their oxygen metabolism. In short, the bad guys suffocate. Unlike with antibiotics, resistant strains have never been known to develop.

In fact, antibiotics are only effective against perhaps a dozen forms of bacteria and fungi, but never viruses. Because no known disease-causing organism can live in the presence of even minute traces of the chemical element of metallic silver, Colloidal Silver is effective against more than 650 different disease-causing pathogens.(9)

Since there is not enough room to list all the diseases against which Colloidal Silver has been used successfully, here is a tiny sample: acne, allergies, appendicitis, arthritis, blood parasites, bubonic plague, burns (colloidal silver is one of the few treatments that can keep severe burn patients alive), cancer,(10) cholera, conjunctivitis, diabetes, gonorrhea, hay fever, herpes, leprosy, leukemia, lupus, lymphangitis, Lyme disease, malaria, meningitis, parasitic infections both viral and fungal, pneumonia, rheumatism, ringworm, scarlet fever, septic conditions of the eyes, ears, mouth and throat, shingles, skin cancer, staph infections, strep infections, syphilis, toxemia, trenchfoot, all forms of viruses, warts and stomach ulcer.

In addition it also has veterinary uses, such as for canine

parvo virus. You'll also find Colloidal Silver very handy in the garden since it can be used against bacterial, fungal and viral attacks on plants.

simply spray diluted Colloidal Silver on the leaves, and add to soil water.

It would appear highly unlikely that even germ warfare agents could survive an encounter with Colloidal Silver, since viruses like E Bola and Hanta, or even the dreaded "flesh-eating bacteria" are, in the end, merely hapless viruses and bacteria.

To top it off, Colloidal Silver is virtually non-toxic, making it safe for both children and adults, as well as pets.(11, 12)

In short, anything bigger than a one-cell animal seems to like it.

Nor does one have to worry about that FDA (Food and Drug Administration) fox being put in charge of this home remedy hen house. Colloidal Silver is a pre-1938 healing modality, making it exempt from FDA jurisdiction under the grandfather clause.(13)

So why haven't you heard of it?

I suspect the user friendly economics of Colloidal Silver may have something to do with its low profile in the media. Colloidal Silver can't help but shine a spotlight on the expensive and deadly nature of our pharmaceutical industries, who are bigger than the Pentagon economically.

For example, the pharmaceutical cartel's relentless promotion of dangerous vaccines for humans and animals through government programs have now been linked to everything from increasing crib deaths in infants (who in many documented cases scream for hours before dying), to the increasingly common disease, feline leukemia, in house cats.(14) Colloidal Silver, on the other hand, is a safe and reliable alternative to expensive pharmaceuticals.

It is true that consuming large amounts over long periods of time may kill some friendly bacteria in your intestines. If taking large amounts, you should supplement your diet with yogurt or acidophilus, or compensate for possible bacteria loss in some other way.

This is not, however, a serious problem, and unlike antibiotics, Colloidal Silver does not weaken the body's immune system. In fact, it is said to give the body a second immune system, creating a shield against disease of all kinds.

A good quality Colloidal Silver can be diluted as much as 8 to 1 and still be highly effective. An average adult dose might be one or two ounces of concentrate mixed in an eight-ounce glass of water, not more than three times a day. However, there would appear to be a great deal of leeway here, since no toxic dose is known.

Sadly, some Colloidal Silvers currently on the market have as little as 1 part per million (ppm) and sell for as much as \$60.00 for eight ounces. However, thanks to physicist Bob Beck's brilliantly simple design outlined below, you can now construct your own generator and produce unlimited amounts of high-quality Colloidal Silver concentrate. And for only 1/10th of a cent per gallon, plus the price of water!

How to make your own Silver Colloid Generator.

while it has been discovered that 30 volts is the ideal for Silver Colloid production, 27 volts is very effective and happens to be the convenient result of wiring three 9-volt batteries together.

Therefore,

you'll need three 9-volt transistor radio batteries,
three battery snap-on lead connectors,
2 insulated alligator clips,
1 "grain-of-wheat" 24 volt 40 mA sub miniature
incandescent bulb,
a foot of 3/32" heat-shrink insulation tubing,
a foot of 2-conductor stranded insulated wire
for clip-leads,
a small box to put it all in, and
10" of pure silver wire (.999 fine).

This should cost under \$30.00 for everything. Assuming some skill with a soldering iron, you should spend about thirty minutes constructing the generator.

Solder your three snap-on battery clips in series (red to black) to provide 27 volts. Connect a 24V incandescent lamp in series with either positive or negative output lead.

Solder the red insulated alligator clip to the positive (anode) and the black insulated clip to the negative (cathode) 2-conductor lead wires. Insulation is shrunk over soldered connections using a heat gun or hair dryer.

Cut your 10" of silver wire in half. Bend top ends of your two 5" silver electrode wires so they can clip over the top rim of a plastic or glass cup (not metal).

About 4" of each wire should be submerged.

WARNING! Use ONLY pure silver (.999 fine) electrodes. #14 gauge is the preferred thickness. Pure silver is sometimes available at electroplating supply companies. Or, inquire at a jewelry store specializing in silver about who their wholesale supplier is.

Do not use sterling silver (.9275) since sterling contains copper and nickel.

NICKEL CAN BE TOXIC. (With this in mind, you may want to have a chemical analysis (assay) of your purchased silver in addition to the written word of your supplier.)

If the Silver Colloid is to be ingested or injected, be sure to use distilled water. Tap water is fine for other uses, such as for a topical spray or for plants. Also, before beginning to make your Colloidal Silver you will need to make a saline solution for enhancing conductivity.

NOTE: Two points of interest since this file was posted;

- 1) DO NOT USE SALT - just use distilled water
- 2) An ingot of silver cut in half works better than wire

Saline solution can be made by mixing six ounces of distilled water with one tea-spoon of sea salt in a separate container.

Do not use common table salt as table salt has chemical additives. After stirring the salt solution, pour some of the water into an eye dropper bottle.

Now you're ready to make Colloidal Silver. Pour eight ounces of water into your glass. Add 1 or 2 drops of saline solution (3 drops at the most; if you use too much salt, you'll be making silver chloride instead!) to distilled water and stir with a plastic/non-conductive utensil.

Insert silver electrode wires. Placement of wires is not critical, but they must not be touching each other or the process will stop. (You cannot shock yourself in this process so do not be concerned.)

Attach alligator clips to the ends of the silver electrode wires coming over the outside rim of the glass and you will see a grey mist inside the glass start to peel away from the positive polarity wire while bubbles of hydrogen rise from the other.

laboratory tests show that this method creates a silver colloid of approximately 1 ppm per minute of activation time.

Since you are only taking microscopic particles from the silver wire, your silver wire may very well last for years.

The brightness of the light bulb is related to the conductivity of the water. It is not necessarily a problem if the bulb is very dim or even remains dark as long as the process itself is occurring. (If the bulb is dark you can always consider adding one more drop of saline solution next time.) Do not add saline solution after process has begun.

Of course, when batteries are old, the light will also become dimmer, signaling it's time for a change. Touch the two alligator clips together to test the brightness of the bulb as a battery check. A fresh set of three alkaline batteries should make several hundred thousand batches of concentrated Silver Colloid. Also, put a few drops of Silver Colloid in the saline solution to prevent fungus growth.

When finished, detach alligator clips. Clean silver electrode wire after each use to remove dark oxide on the anode. Use a small piece of 1/4" thick nylon kitchen scouring pad to polish dried silver, then wipe with paper napkin to make ready for next use.

Store your Colloidal Silver in dark, non-conductive (and if plastic, non-reactive) containers, like empty hydrogen peroxide bottles. Keep away from light as even room light will degrade colloids rapidly by turning solution grey or black just as exposure to light darkens the silver in camera film. Stir thoroughly or shake each time before using. Keep cool, but do not refrigerate.

In using your own home-made silver colloid generator it will become apparent that you now have the power to safely protect yourself, your family, your pets and plants, your community, and (through the dissemination of this information), our nation, from over 650 pathogens, viruses, microbes, fungi and parasites.

Upon creating your first batch of Colloidal Silver, you will find it tastes the same as untreated water. And it won't sting, even in a baby's eyes.

Congratulations and bon appetit!

©1995 Mark Metcalf, a.k.a. Mark Nine All rights reserved.

References

1. "Medical malpractice alone kills an estimated 45,000 people annually (in the U.S.), making it the leading cause of accidental injury and death." -- Adriane Fugh-Berman, MD
2. As many as 14,000 people die in Australian hospitals every year through preventable mistakes, ranging from misdiagnosis to being given the wrong drugs. This makes hospitals the third largest killer in Australia after heart disease and cancer. For those who survive, between 25,000 and 30,000 patients are left with a serious and permanent disability as a result of such mistakes. -- The Sydney Morning Herald, 6/2/95 and the New Scientist, 6/10/95.
3. Using statistics from the 1984 Harvard study, the National Safety Council and other sources, the Campaign to Protect Consumer Rights says that more people die in the U.S. from medical negligence than any other accidental cause. If these statistics are valid, medical errors kill more people each year than automobiles, falls, drownings, fires, choking, guns and poisons combined.
4. "Only 10 to 20 percent of all medical procedures currently used in medical practice have been shown to be efficacious by controlled trial. -- U.S. Office of Technology Assessment
5. Encyclopedia Britanica, 1910

6. Health Consciousness Magazine, vol. 15, no. 4
7. "Use of Colloids in Health and Disease." Colloidal Silver is proven particularly effective in cases of intestinal troubles. Dr. Henry Crooks found that Silver in the colloidal state is highly germicidal, quite harmless to humans and absolutely nontoxic. Rather than in a chemical compound, the Silver, in the colloidal state, may be applied in a much more concentrated form, with correspondingly better results. All fungus, virus, bacterium, strep-tococcus, strphylococcus, and other pathogenic organisms are killed in three or four minutes; in fact, there is no microbe known that is not killed by Colloidal Silver in six minutes or less, a dilution of as little as five parts per million, though there are no side effects whatsoever from high concentrations.
-- Provo Herald, Feb. 2, 1992, pg D1:
Colloidal Silver as a cure for AIDS.
8. "(Colloidal Silver) is not a chemical compound containing Silver, but pure metallic silver of submicroscopic clusters of just a few atoms, held in suspension in pure water, by the tiny electric charge on each atom."
-- Health Consciousness, Vol. 15, No.4
9. As an antibiotic, Silver kills over 650 disease causing organisms; resistant strains fail to develop. Silver is absolutely nontoxic. Silver is the best all-around germ fighter we have. Doctors are reporting that, taken internally, it works against syphilis, cholera, and malaria, diabetes and severe burns. -- Bio/Tech News, 1995
10. Dr. Bjorn Nordstrom, of the Karolinska Institute, Sweden, has used Silver in his cancer cure method for many years. He says the whole thing is quite simple. This brought rapid remission in patients given up by other doctors.
-- "Silver, Our Mightiest Germ Fighter"
Science Digest, March, 1978.
11. Metallic Silver (Colloid) is non-toxic, however, silver nitrate and other compounds of silver are and should not be ingested. --Dr. Bob Beck
12. Environmental Protection Agency's Poison Control Center reports no toxicity listing for Colloidal Silver, considering it harmless in any concentration.
13. The FDA has stated that because Colloidal Silver is (by fifty years) a pre-1938 drug, it may continue to be marketed. Sept. 13, 1991, letter received from consumer safety officer Harold Davis, U.S., Food and Drug Administration. Moreover, the FDA has no jurisdiction regarding a pure, mineral element.
14. The following significant adverse events have occurred following administration of DTP vaccines: inconsolable crying for more than 3 hours (1/100 doses), high-pitched, unusual crying (1/1000 doses), fever higher than 105 degrees

fahrenheit (1/330 doses), transient shock-like (hypotonic, hyporesponsive) episode (1/1750 doses), convulsions (1/1,750 doses), sudden infant death syndrome (SIDS). (Interestingly, no percentage of SIDS is given author.)

Encephalopathy occurring within 7 days following vaccination.

This is defined as an acute, severe central-nervous-system disorder occurring with 7 days following vaccination, and generally consisting of major alterations in consciousness, unresponsiveness, generalized or focal seizures that persist more than a few hours, with failure to recover within 24 hours.

Studies have indicated that a personal or family history of seizures is associated with increased frequency of seizures following pertussis immunization. The ACIP and AAP do not consider a family history of seizures to be a contraindication to pertussis vaccine despite the increased risk of seizures in these individuals.

As reported with Haemophilus b polysaccharide vaccine, cases of Haemophilus type b disease may occur... -- Excerpts from Lederle Praxis Biologicals' own DPT Vaccine package insert.

Lederle Praxis Biologicals is a division of American Cyanamid, which is itself a division of I.G. Farbin, the former Nazi chemical combine who manufactured Zyclon-B. Zyclon-B was the nerve gas used for exterminating millions of human beings in concentration camps.

"Concentration" stands for mass "concentrations" of civilian population. In other words, a complete cross-section, including infants, children, senior citizens, etc.

***** NOTICE *** - 12/02/98**

Today it was brought to my attention that Alex Chiu is making claims about some kind of Texas Aging research group that is part of KeelyNet....I don't know where he got this strange idea...we have NO MEDICAL GROUP, no research in any medical area and never made any claims. He and I have been round and round about HIS CLAIMS and he even DEMANDED that I advertise his site on KeelyNet which I refused to do because he will not have the units tested formally, relying on his own ideas and a few New Age wannabelievers. Some of the people in our group did try them on their own and found NO EFFECTS. So, if you don't see it ON KeelyNet or posted directly there by me, then take it with a big block of salt. Alex needs to get his act straight, one day it will cause him much grief by making such outrageous claims and I've told him this, but he just shrugs it off...so if you choose to play with his stuff and BELIEVE, thats YOUR business, but he has no business mentioning KeelyNet with regard to HIS CLAIMS...

***** Jerry W. Decker/Sysop/Owner/KeelyNet *****

Magnetic Blood Accelerator - 03/30/97

The following post was noted and although the eternal life claim is too wild to consider, there is some merit to accelerating blood flow using magnetic fields.

From: [Alex Chiu](#) Telephone: 415 585 3825
Newsgroups: alt.sci.physics.new-theories
Subject: Eternal Life Device
Date: 19 Mar 1997 12:30:09 GMT

New Invention Allows Humans To Live Forever

Please see my web site <http://akamail.com/alexchiu>

My site has all the diagrams to (build your own) eternal life device.

According to Alex Chiu, that's me, people can stay young and live forever by using this new invention - The Eternal Life Rings, or The Eternal Life Foot Braces.

The Eternal Life Rings are rings that are to be worn on both small fingers of a user during sleep.

The Eternal Life Foot Braces are to be worn on all fingers of both feet of a user during sleep.

Both devices consist of simply magnets and braces which hold magnets onto the fingers of the user.

Mr. Alex Chiu claims that the magnetic devices both are believed to allow a user to stay young forever or to become younger! The inventor explained that the magnetic pole on the right small finger or on the right foot is opposite to the poles of the magnets on the left small finger or of the left foot.

With a different pole on each side of the human body, blood circulation and electric current of the body are propelled.

The speeded up blood circulation and electric current generates a faster metabolism in order to fight the aging process. The mentioned devices invented by Alex Chiu are believed to alter aging or to keep the users young as long as the users wear them every night during sleep.

The devices also cure many handicaps and diseases. Alex Chiu is an inventor who is mainly specialized in effects on human health by magnetic forces.

Please visit <http://akamail.com/alexchiu>.

Relevant Information

The following file is from the KeelyNet BBS, posted 10/13/95.

This is from a document I received several years ago from an unknown source. The article is from the January, 1966, Popular Science magazine and I only have one page, but the gist is well stated. I think it is very similar to the 'caterpillar drive' that was used in the movie, "Hunt for Red October".

Silent Sea Engine for Nuclear Subs by James G. Busse

**A magnetic pump with no moving parts, this simple device
may propel our submarines silently along the ocean floor**

In the silent world of underwater warfare, the slightest noise can bring sudden death to a submarine. The electronic ears of the enemy can detect conventional engines and screw propellers as far as 100 miles away. A computer intercepts the sounds and directs a deadly homing torpedo to their source in minutes.

How do you go about maneuvering a 3,260-ton nuclear submarine without making a sound?

Two medical researchers at St. Louis University's School of Medicine may have found the answer - a revolutionary undersea propulsion unit dubbed the "sea engine."

The interesting phenomenon upon which the sea engine is based was first observed in 1964 by Alfred W. Richardson, a physiologist, and Sujoy K. Guha, a young biomedical engineer from India. The two men were looking for a method of simulating the flow of blood through the human body. They tried various types of mechanical pumps without success. The pumping action was too irregular.

While investigating the effects of magnetic fields on weak salt solutions similar to blood, the two researchers stumbled across an interesting fact:

They could make the electrically charged atoms in such solutions move in one direction by applying a magnetic field in just the right way.

Then they made a second important discovery: The moving atoms dragged water molecules along with them so that the entire solution moved.

Richardson and Guha suddenly realized that they had the makings of a new type of pump. They quickly assembled an experimental model and found, as they had expected, that the device really worked.

Their "pump" consisted of nothing more than an unimpressive collection of junk-box electronic components. Yet the instant they connected it to a source of electrical power, a weak salt solution inside it began to move.

A number of tests were made and new models were constructed, some of which permitted very accurate control over the quantity of liquid being pumped, and others which made the liquid move in a series of pulses, duplicating the pumping action of the human heart.

Amazingly, the pumps could move a variety of liquids - including ordinary tap water - without difficulty.....

If anyone out there has the rest of this article, could you mail a copy of it to KeelyNet at PO BOX 870716, Mesquite, TX 75187, I will reimburse you the cost of duplication and mailing, thanks!!.....>>> Jerry

Other interesting correlations are;

- the magnetic levitation of o

Q-Link Bio-Magnetic Intensifier

DAMARK (800) 827-6767 August 1996 catalog has a strange device called a Q-Link which is claimed to optimize the body energy field. The ad reads as follows;

Enhance your Body's Natural Energy with the Q-Link Pendant

The Q-Link pendant actually tunes into your unique bio-magnetic energy field and, after 14 to 21 days of self-programming, may begin to strengthen, balance

and enhance your natural energy. The VLSI Transponder Induction Coil Antenna and transducer-chip software is designed to pick up, clarify and refine the entire frequency spectrum of the human bio-magnetic energy field.

The encoded proprietary Phase Resonance Software is designed to amplify and integrate the natural human bio-magnetic energy field. Some of the reported benefits of this revolutionary device include enhanced energy, less stress, greater athletic performance - and protection from the EMFs (electromagnetic fields) that we encounter daily through computers, televisions, etc. Water resistant, the Q-Link constantly fine-tunes itself to harmonically resonate your unique energy signal.

Item No. B-5763-485418 S/H Code B

Compare at \$129.95

Price for non-members \$99.99

Page 46

On Stellar Influences to alter Matter or DNA - 03/29/97

Comments on Stellar influences by Jerry W. Decker for KeelyNet

This was originally intended as a response to a post about 'changelings', i.e. children of another race who had been swapped for a human baby. Since it made reference to Easter, I thought it might be of interest.

Legend had it that fairy or gnome children were sometimes swapped for human babies in attempts to explain why a child was malformed (gnome children) or unusually gifted (fairy children).

I almost hate to get into this because of all the flames it might generate, but the late Dr. Andrija Puharich claimed to have been visited by some of these specially gifted children, who are actively networking amongst themselves to keep their abilities secret until they feel it safe to announce their presence.

Puharich told our group that he believed these special children appeared throughout history at certain periods and had to protect themselves or have champions to protect them, but they could recognize one another and might be the organizers of secret, highly advanced groups who sway human evolution and society using their abilities and knowledge.

We had Puharich in Dallas several years ago for about a week and he gave two public lectures and spoke privately with some in our group. He claimed that some of these children had the ability to teleport and had actually appeared in his home in the middle of the night, though they lived many hundreds of miles away. (For your information, Dr. Puharich died about 2 years ago.)

Most of these children he reported as being telepathic and each had a special gift, though some had more than one gift. At the time, we discussed these abilities as a next step in human evolution in the form of spontaneous or directed mutations.

There have been a couple of Star Trek and other Sci-Fi episodes dealing with the need for these gifted mutants to protect themselves from the fears of their lesser evolved progenitors, who would view them as supernatural or freaks, engendering fear and paranoia that could well bring about their death or enslavement.

Another recent movie that is interesting in this vein is 'Species' (Charlie Sheen) where a signal from space carried a DNA sequence that was used in a military sponsored project to alter human DNA. The alien creature came to its full evolution and abilities roughly at puberty, appearing as a normal human during its formative years.

At a conference several years ago, I met Burl Payne, the fellow who invented the Radio Shack biofeedback device that uses changes in electrical tension on the skin to produce an audio signal. Burl was doing experiments which involved the use of a telescope to focus light and other rays from a given star system into water or other materials. He reported that substances treated by these captured stellar radiations had different properties depending on which star system energy was captured.

This also ties in with the claims and amazing research efforts of Lily Kolisko, who said that at certain times of the year, certain energies bombarded the earth and could be captured in the formation of new matter.

Borderlands out in California (their website is <http://www.borderlands.com>) has at least one very excellent book on the work of Kolisko.....there is a story that during one of the world wars (I think it was WWI), some of the shells would explode in the breech of the gun.

Physical examination of the shells could find nothing structurally wrong with them and the shells were all produced in batches. Kolisko heard of this and found that only shells produced from certain batches had this propensity to explode prematurely.

She found that the casings were cast under the influence of specific stellar or planetary influences. The formation of crystals subjected to specific stellar and planetary influences amazingly shows the same patterns each time.

Alchemical Easter Eggs

The pre-Christian 'pagans' held that Easter was a period of resurrection, long before the Christians 'absorbed' this belief into theirs. An alchemist friend of mine, Hans Nintzel, claims that eggs laid within a 3 day period of Easter (before, on or after) would NOT rot or decay over the next year or more. He said they simply dry out and when cracked open would not be rancid, smell or otherwise be different from a fresh egg.

Perhaps such a resurrection/rejuvenation effect is available to those who know how to accumulate or focus these particular stellar radiations to energize, recharge, heal, mutate or rejuvenate the body??

Maybe Townsend Brown's idea of high dielectric, high mass substances such as rocks could be used to concentrate and mechanically focus (by a parabolic dish) these collected energies into a chamber (as in the Kings Chamber) for specific expectations or experiments.

Mechanical focussing refers to shaped cavities as is used in the Olympus Acoustic scanning microscope. This machine uses a crystal with a shaped cavity that directs high frequency sound waves in air (at around 2 million cycles per second) to microscopically scan material.

Star Children

With the advent of the amazing stellar correlations of the Egyptian landscape and structures by Bauval as detailed in his book, 'The Orion Mystery', particularly the intentional focussing of specific stellar radiations from Orion into the King's chamber of the great pyramid, one wonders if conception of a child while under the focussed influence of a specific stellar system would produce, literally, a 'star child' with attributes different from those of normal humans.

Offering a way to accelerate or alter the evolution of humanity by biasing the seminal DNA to a given pattern. Perhaps such stellar radiations are focussed or strong enough in one

area of the earth to influence the initial egg/sperm combination to produce the first DNA. It could also affect the extant DNA aggregates of older organisms to produce healing, mutation or rejuvenation.

A new life exposed to such a pattern would have that pattern replicated for the remainder of the organisms existence, yielding unusual abilities, different appearance or other peculiar characteristics. Ra, Set, Osiris, even Horus and Anubis with the animal heads, could well be intentionally spawned using such stellar influences.

What if the ancient priests knew of this stellar patterning technique and could produce a royal lineage at will?

In the event it failed one time, they could do it again and again until the child had the qualities they desired for resurrecting an old lineage or creating a new lineage, shades of Dr. Moreau!

—

Reality - the Holographic Universe - 03/16/97

This file was posted as REALITY.ASC on the KeelyNet BBS on February 24, 1991.

THE UNIVERSE AS A HOLOGRAM DOES OBJECTIVE REALITY EXIST, OR IS THE UNIVERSE A PHANTASM?

In 1982 a remarkable event took place. At the University of Paris a research team led by physicist Alain Aspect performed what may turn out to be one of the most important experiments of the 20th century. You did not hear about it on the evening news. In fact, unless you are in the habit of reading scientific journals you probably have never even heard Aspect's name, though there are some who believe his discovery may change the face of science.

Aspect and his team discovered that under certain circumstances subatomic particles such as electrons are able to instantaneously communicate with each other regardless of the distance separating them. It doesn't matter whether they are 10 feet or 10 billion miles apart.

Somehow each particle always seems to know what the other is doing. The problem with this feat is that it violates Einstein's long-held tenet that no communication can travel faster than the speed of light. Since traveling faster than the speed of light is tantamount to breaking the time barrier, this daunting prospect has caused some physicists to try to come up with elaborate ways to explain away Aspect's findings. But it has inspired others to offer even more radical explanations.

University of London physicist David Bohm, for example, believes Aspect's findings imply that objective reality does not exist, that despite its apparent solidity the universe is at heart a phantasm, a gigantic and splendidly detailed hologram.

To understand why Bohm makes this startling assertion, one must first understand a little about holograms. A hologram is a three-dimensional photograph made with the aid of a laser.

To make a hologram, the object to be photographed is first bathed in the light of a laser beam. Then a second laser beam is bounced off the reflected light of the first and the resulting interference pattern (the area where the two laser beams commingle) is captured on film.

When the film is developed, it looks like a meaningless swirl of light and dark lines. But as soon as the developed film is illuminated by another laser beam, a three-dimensional image of the original object appears.

The three-dimensionality of such images is not the only remarkable characteristic of holograms. If a hologram of a rose is cut in half and then illuminated by a laser, each half will still be found to contain the entire image of the rose.

Indeed, even if the halves are divided again, each snippet of film will always be found to contain a smaller but intact version of the original image. Unlike normal photographs, every part of a hologram contains all the information possessed by the whole.

The "whole in every part" nature of a hologram provides us with an entirely new way of understanding organization and order. For most of its history, Western science has labored under the bias that the best way to understand a physical phenomenon, whether a frog or an atom, is to dissect it and study its respective parts.

A hologram teaches us that some things in the universe may not lend themselves to this approach. If we try to take apart something constructed holographically, we will not get the pieces of which it is made, we will only get smaller wholes.

This insight suggested to Bohm another way of understanding Aspect's discovery. Bohm believes the reason subatomic particles are able to remain in contact with one another regardless of the distance separating them is not because they are sending some sort of mysterious signal back and forth, but because their separateness is an illusion. He argues that at some deeper level of reality such particles are not individual entities, but are actually extensions of the same fundamental something.

To enable people to better visualize what he means, Bohm offers the following illustration.

Imagine an aquarium containing a fish. Imagine also that you are unable to see the aquarium directly and your knowledge about it and what it contains comes from two television cameras, one directed at the aquarium's front and the other directed at its side.

As you stare at the two television monitors, you might assume that the fish on each of the screens are separate entities. After all, because the cameras are set at different angles, each of the images will be slightly different. But as you continue to watch the two fish, you will eventually become aware that there is a certain relationship between them.

When one turns, the other also makes a slightly different but corresponding turn; when one faces the front, the other always faces toward the side. If you remain unaware of the full scope of the situation, you might even conclude that the fish must be instantaneously communicating with one another, but this is clearly not the case.

This, says Bohm, is precisely what is going on between the subatomic particles in Aspect's experiment.

According to Bohm, the apparent faster-than-light connection between subatomic particles is really telling us that there is a deeper level of reality we are not privy to, a more complex dimension beyond our own that is analogous to the aquarium. And, he adds, we view objects such as subatomic particles as separate from one another because we are seeing only a portion of their reality.

Such particles are not separate "parts", but facets of a deeper and more underlying unity that is ultimately as holographic and indivisible as the previously mentioned

rose. And since everything in physical reality is comprised of these "eidolons", the universe is itself a projection, a hologram.

In addition to its phantmlike nature, such a universe would possess other rather startling features. If the apparent separateness of subatomic particles is illusory, it means that at a deeper level of reality all things in the universe are infinitely interconnected.

The electrons in a carbon atom in the human brain are connected to the subatomic particles that comprise every salmon that swims, every heart that beats, and every star that shimmers in the sky.

Everything interpenetrates everything, and although human nature may seek to categorize and pigeonhole and subdivide, the various phenomena of the universe, all apportionments are of necessity artificial and all of nature is ultimately a seamless web.

In a holographic universe, even time and space could no longer be viewed as fundamentals. Because concepts such as location break down in a universe in which nothing is truly separate from anything else, time and three-dimensional space, like the images of the fish on the TV monitors, would also have to be viewed as projections of this deeper order.

At its deeper level reality is a sort of superhologram in which the past, present, and future all exist simultaneously. This suggests that given the proper tools it might even be possible to someday reach into the superholographic level of reality and pluck out scenes from the long-forgotten past.

What else the superhologram contains is an open-ended question. Allowing, for the sake of argument, that the superhologram is the matrix that has given birth to everything in our universe, at the very least it contains every subatomic particle that has been or will be -- every configuration of matter and energy that is possible, from snowflakes to quasars, from blue whales to gamma rays. It must be seen as a sort of cosmic storehouse of "All That Is."

Although Bohm concedes that we have no way of knowing what else might lie hidden in the superhologram, he does venture to say that we have no reason to assume it does not contain more. Or as he puts it, perhaps the superholographic level of reality is a "mere stage" beyond which lies "an infinity of further development".

Bohm is not the only researcher who has found evidence that the universe is a hologram. Working independently in the field of brain research, Stanford neurophysiologist Karl Pribram has also become persuaded of the holographic nature of reality.

Pribram was drawn to the holographic model by the puzzle of how and where memories are stored in the brain. For decades numerous studies have shown that

rather than being confined to a specific location, memories are dispersed throughout the brain.

In a series of landmark experiments in the 1920s, brain scientist Karl Lashley found that no matter what portion of a rat's brain he removed he was unable to eradicate its memory of how to perform complex tasks it had learned prior to surgery. The only problem was that no one was able to come up with a mechanism that might explain this curious "whole in every part" nature of memory storage.

Then in the 1960s Pribram encountered the concept of holography and realized he had found the explanation brain scientists had been looking for. Pribram believes memories are encoded not in neurons, or small groupings of neurons, but in patterns of nerve impulses that crisscross the entire brain in the same way that patterns of laser light interference crisscross the entire area of a piece of film containing a holographic image. In other words, Pribram believes the brain is itself a hologram.

Pribram's theory also explains how the human brain can store so many memories in so little space. It has been estimated that the human brain has the capacity to memorize something on the order of 10 billion bits of information during the average human lifetime (or roughly the same amount of information contained in five sets of the Encyclopaedia Britannica).

Similarly, it has been discovered that in addition to their other capabilities, holograms possess an astounding capacity for information storage--simply by changing the angle at which the two lasers strike a piece of photographic film, it is possible to record many different images on the same surface. It has been demonstrated that one cubic centimeter of film can hold as many as 10 billion bits of information.

Our uncanny ability to quickly retrieve whatever information we need from the enormous store of our memories becomes more understandable if the brain functions according to holographic principles. If a friend asks you to tell him what comes to mind when he says the word "zebra", you do not have to clumsily sort back through some gigantic and cerebral alphabetic file to arrive at an answer. Instead, associations like "striped", "horselike", and "animal native to Africa" all pop into your head instantly.

Indeed, one of the most amazing things about the human thinking process is that every piece of information seems instantly cross-correlated with every other piece of information--another feature intrinsic to the hologram. Because every portion of a hologram is infinitely interconnected with every other portion, it is perhaps nature's supreme example of a cross-correlated system.

The storage of memory is not the only neurophysiological puzzle that becomes more tractable in light of Pribram's holographic model of the brain. Another is how the brain is able to translate the avalanche of frequencies it receives via the senses (light

frequencies, sound frequencies, and so on) into the concrete world of our perceptions.

Encoding and decoding frequencies is precisely what a hologram does best. Just as a hologram functions as a sort of lens, a translating device able to convert an apparently meaningless blur of frequencies into a coherent image, Pribram believes the brain also comprises a lens and uses holographic principles to mathematically convert the frequencies it receives through he senses into the inner world of our perceptions.

An impressive body of evidence suggests that the brain uses holographic principles to perform its operations. Pribram's theory, in fact, has gained increasing support among neurophysiologists.

Argentinian-Italian researcher Hugo Zucarelli recently extended the holographic model into the world of acoustic phenomena. Puzzled by the fact that humans can locate the source of sounds without moving their heads, even if they only possess hearing in one ear, Zucarelli discovered that holographic principles can explain this ability.

Zucarelli has also developed the technology of holophonic sound, a recording technique able to reproduce acoustic situations with an almost uncanny realism.

Pribram's belief that our brains mathematically construct "hard" reality by relying on input from a frequency domain has also received a good deal of experimental support.

It has been found that each of our senses is sensitive to a much broader range of frequencies than was previously suspected.

Researchers have discovered, for instance, that our visual systems are sensitive to sound frequencies, that our sense of smell is in part dependent on what are now called "osmic frequencies", and that even the cells in our bodies are sensitive to a broad range of frequencies. Such findings suggest that it is only in the holographic domain of consciousness that such frequencies are sorted out and divided up into conventional perceptions.

But the most mind-boggling aspect of Pribram's holographic model of the brain is what happens when it is put together with Bohm's theory. For if the concreteness of the world is but a secondary reality and what is "there" is actually a holographic blur of frequencies, and if the brain is also a hologram and only selects some of the frequencies out of this blur and mathematically transforms them into sensory perceptions, what becomes of objective reality?

Put quite simply, it ceases to exist. As the religions of the East have long upheld, the material world is Maya, an illusion, and although we may think we are physical beings moving through a physical world, this too is an illusion.

We are really "receivers" floating through a kaleidoscopic sea of frequency, and what we extract from this sea and transmogrify into physical reality is but one channel from many extracted out of the superhologram.

This striking new picture of reality, the synthesis of Bohm and Pribram's views, has come to be called the holographic paradigm, and although many scientists have greeted it with skepticism, it has galvanized others. A small but growing group of researchers believe it may be the most accurate model of reality science has arrived at thus far. More than that, some believe it may solve some mysteries that have never before been explainable by science and even establish the paranormal as a part of nature.

Numerous researchers, including Bohm and Pribram, have noted that many parapsychological phenomena become much more understandable in terms of the holographic paradigm.

In a universe in which individual brains are actually indivisible portions of the greater hologram and everything is infinitely interconnected, telepathy may merely be the accessing of the holographic level.

It is obviously much easier to understand how information can travel from the mind of individual 'A' to that of individual 'B' at a far distance point and helps to understand a number of unsolved puzzles in psychology. In particular, Grof feels the holographic paradigm offers a model for understanding many of the baffling phenomena experienced by individuals during altered states of consciousness.

In the 1950s, while conducting research into the beliefs of LSD as a psychotherapeutic tool, Grof had one female patient who suddenly became convinced she had assumed the identity of a female of a species of prehistoric reptile. During the course of her hallucination, she not only gave a richly detailed description of what it felt like to be encapsulated in such a form, but noted that the portion of the male of the species's anatomy was a patch of colored scales on the side of its head.

What was startling to Grof was that although the woman had no prior knowledge about such things, a conversation with a zoologist later confirmed that in certain species of reptiles colored areas on the head do indeed play an important role as triggers of sexual arousal.

The woman's experience was not unique. During the course of his research, Grof encountered examples of patients regressing and identifying with virtually every species on the evolutionary tree (research findings which helped influence the man-into-ape scene in the movie *Altered States*). Moreover, he found that such experiences frequently contained obscure zoological details which turned out to be accurate.

Regressions into the animal kingdom were not the only puzzling psychological phenomena Grof encountered. He also had patients who appeared to tap into some sort of collective or racial unconscious. Individuals with little or no education

suddenly gave detailed descriptions of Zoroastrian funerary practices and scenes from Hindu mythology. In other categories of experience, individuals gave persuasive accounts of out-of-body journeys, of precognitive glimpses of the future, of regressions into apparent past-life incarnations.

In later research, Grof found the same range of phenomena manifested in therapy sessions which did not involve the use of drugs. Because the common element in such experiences appeared to be the transcending of an individual's consciousness beyond the usual boundaries of ego and/or limitations of space and time, Grof called such manifestations "transpersonal experiences", and in the late '60s he helped found a branch of psychology called "transpersonal psychology" devoted entirely to their study.

Although Grof's newly founded Association of Transpersonal Psychology garnered a rapidly growing group of like-minded professionals and has become a respected branch of psychology, for years neither Grof or any of his colleagues were able to offer a mechanism for explaining the bizarre psychological phenomena they were witnessing. But that has changed with the advent of the holographic paradigm.

As Grof recently noted, if the mind is actually part of a continuum, a labyrinth that is connected not only to every other mind that exists or has existed, but to every atom, organism, and region in the vastness of space and time itself, the fact that it is able to occasionally make forays into the labyrinth and have transpersonal experiences no longer seems so strange.

The holographic paradigm also has implications for so-called hard sciences like biology. Keith Floyd, a psychologist at Virginia Intermont College, has pointed out that if the concreteness of reality is but a holographic illusion, it would no longer be true to say the brain produces consciousness. Rather, it is consciousness that creates the appearance of the brain -- as well as the body and everything else around us we interpret as physical.

Such a turnabout in the way we view biological structures has caused researchers to point out that medicine and our understanding of the healing process could also be transformed by the holographic paradigm. If the apparent physical structure of the body is but a holographic projection of consciousness, it becomes clear that each of us is much more responsible for our health than current medical wisdom allows. What we now view as miraculous remissions of disease may actually be due to changes in consciousness which in turn effect changes in the hologram of the body.

Similarly, controversial new healing techniques such as visualization may work so well because in the holographic domain of thought images are ultimately as real as "reality".

Even visions and experiences involving "non-ordinary" reality become explainable under the holographic paradigm. In his book "Gifts of Unknown Things," biologist Lyall Watson describes his encounter with an Indonesian shaman woman who, by performing a ritual dance, was able to make an entire grove of trees instantly vanish

into thin air. Watson relates that as he and another astonished onlooker continued to watch the woman, she caused the trees to reappear, then "click" off again and on again several times in succession.

Although current scientific understanding is incapable of explaining such events, experiences like this become more tenable if "hard" reality is only a holographic projection.

Perhaps we agree on what is "there" or "not there" because what we call consensus reality is formulated and ratified at the level of the human unconscious at which all minds are infinitely interconnected.

If this is true, it is the most profound implication of the holographic paradigm of all, for it means that experiences such as Watson's are not commonplace only because we have not programmed our minds with the beliefs that would make them so. In a holographic universe there are no limits to the extent to which we can alter the fabric of reality.

What we perceive as reality is only a canvas waiting for us to draw upon it any picture we want. Anything is possible, from bending spoons with the power of the mind to the phantasmagoric events experienced by Castaneda during his encounters with the Yaqui brujo don Juan, for magic is our birthright, no more or less miraculous than our ability to compute the reality we want when we are in our dreams.

Indeed, even our most fundamental notions about reality become suspect, for in a holographic universe, as Pribram has pointed out, even random events would have to be seen as based on holographic principles and therefore determined. Synchronicities or meaningful coincidences suddenly makes sense, and everything in reality would have to be seen as a metaphor, for even the most haphazard events would express some underlying symmetry.

Whether Bohm and Pribram's holographic paradigm becomes accepted in science or dies an ignoble death remains to be seen, but it is safe to say that it has already had an influence on the thinking of many scientists. And even if it is found that the holographic model does not provide the best explanation for the instantaneous communications that seem to be passing back and forth between subatomic particles, at the very least, as noted by Basil Hiley, a physicist at Birbeck College in London, Aspect's findings "indicate that we must be prepared to consider radically new views of reality".

Vanguard notes...

This is one of the most fascinating files we have seen since it seems to offer a hypothesis which "synthesizes" a multitude of phenomena including that generally classed as "paranormal." Related files on KeelyNet are the complete MIND series and VEDA1.

—

Experimental Bio-Electric Machine - 02/21/97

The information for this file is purely experimental and no claims are made for it. If you choose to build and/or experiment with the circuit described, you do so at your own risk.

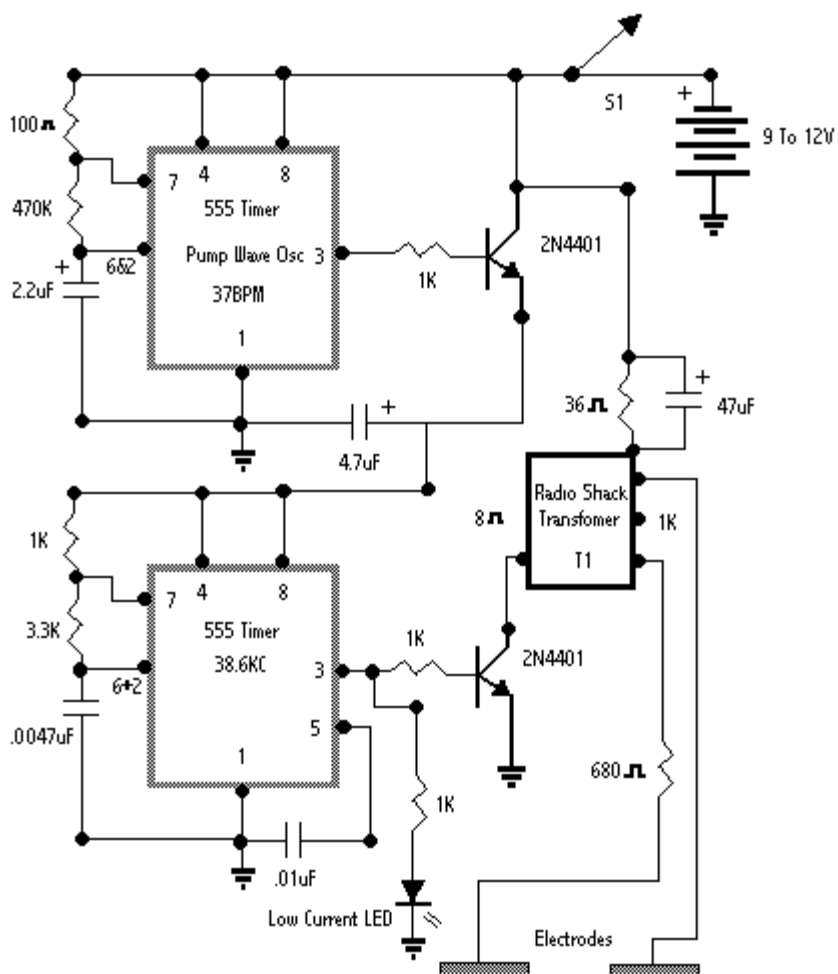
The following information is being anonymously shared with everyone courtesy of a private researcher who is very concerned about health issues.

Anecdotal accounts specify applications are not to exceed more than 30 minutes per day for one week, followed by once every 3 days for 30 minutes per application.

Electrodes should be good quality to get the best results.

Reports are that positive effects should occur by the next day of application.

It is recommended to drink lots of water to keep your system flushed of toxins that are said to be released in the process.



Warning! DO NOT CHANGE ANYTHING in the circuit, especially the RADIO SHACK TRANSFORMER! THE TIMERS MUST BE FROM SIGNETICS ONLY OR THE MACHINE WILL MISFIRE!

For technical readers, the signal as viewed on an oscilloscope should be a positive going spike much like that of a nerve impulse. The frequency of 38.6 kcps is critical to proper operation.

Please share your observations or results with other researchers or through [KeelyNet](http://KeelyNet.com).

Additional related electronic health information based on the work of Rife and various underground alternative researchers are also available for study.

For details on [electrode construction](#) for the Rife machine.

For the [Rife BLASTER5 program](#).

August 30th, 1996

Mind Controlled Appliances & Computer Programs

A recent post from James Hartman notified us about recent experiments where human thought was used to control appliances. Patrick Bailey found the location on the InterNet which gave more detail and coincidentally enough, I received a catalog in the mail

describing a device which allows you to control your movements in various game programs using a biofeedback device. All of the above information is included herein for your consideration.

Date: Mon, 26 Aug 1996 17:33:11 -0700 - To: jdecker@keelynet.com (Jerry Decker)

From: pgb@padrak.com (Patrick Bailey) - Subject: The Mind Switch

Location of the MindSwitch site :

http://www.phys.uts.edu.au/~asearle/m_switch.html

The Mind Switch

* OVERVIEW OF THE PROJECT - * APPLICATIONS

* CURRENT DEVELOPMENTS - * FUTURE PROSPECTS

* MEDIA COVERAGE - * RESEARCHERS

OVERVIEW

The Mind Switch refers to the technology that has been developed which allows a person to turn on and off an electrical appliance, such as a desk lamp or TV in 2-3 seconds without training. Proportional control, such as turning up or down the volume of a radio is also possible with the technology. This research is being carried at the University of Technology, Sydney (UTS).

BACKGROUND - General

Early in 1994 while studying the response of the brain to environmental factors Associate Professor Ashley Craig and Mr Paul McIsaac of the Department of Health Sciences at UTS, noticed an effect which appears to be common among all persons. That effect is an increase in a particular brain signal when a person closes his/her eyes for more than one second. The important question that Ashley and Paul then asked was could this effect be used to do something useful?, ie - could the control of the brain signal be used, in turn, to control something else? At this stage Ashley contacted Professor Tony Moon, the Dean of Science at UTS, to find out if anyone could help answer the technical questions and design a system that might exploit the apparent change in the signal level when a person closes his/her eyes. Professor Moon introduced Ashley to Dr Les Kirkup who is a senior lecturer in the department of Applied Physics at UTS, who has experience in developing electronics and instrumentation. It was thought he could offer important input to the project.

He was initially sceptical that signals as small as those that are present on the scalp, (where electrodes are placed to pick up brain activity) could be detected reliably and analysed sufficiently quickly to allow activation of an external device , such as a lamp or TV. The data that had been gathered on signal levels with eyes open and eyes closed showed that a

significant increase occurred in the 8-13Hz part of the 'brain spectrum' commonly referred to as the 'alpha' region. Les built a detection, discrimination and analysis system based on Ashley and Paul's data and, much to his surprise at least, the first person (Lucy) connected to the system showed the capability of operating a switch which could control an electrical appliance.

BACKGROUND - Technical

Serious work done on brain signals began with Berger in 1929 [Berger 1967]. Since that time the acquisition and analysis of brain signals, referred to as Electroencephalography (EEG) has advanced to such a state that EEG is regularly used to assist in the diagnosis of schizophrenia, epilepsy and brain tumours. [Geddes and Baker, 1989]. EEG has also been used in biofeedback studies in which subjects may learn to modify their EEG signals in response to visual representation of their EEG signals. This control usually takes weeks or months to learn and is not highly reliable. The system we have developed does NOT rely on any learned skill by an individual. It simply requires a person to close his/her eyes for more than 1 second to effect sufficient change in the signals levels to allow for the reliable operation of a switch. It turns out that it has been known for many years that increase in signal level occurs upon eye closure, but this is the first example (to our knowledge) of the recognition of its potential and the exploitation of the effect. The system used to detect the change in signals consists of amplifiers, filters and other signal processing elements (full details are still classified at the moment!). As there are other sources which can generate signals which can interfere with brain signals (and hence cause intermittent switching on and off of appliances) we have developed a noise suppression system which eliminates the effect of those noise sources. This feature is very important as we are currently developing the technology for disabled persons (we have a three year grant from the Motor Accident Authority of New South Wales, MAA) and reliability is a major issue. The funding from MAA has allowed us to appoint Mr Andrew Searle who has become a key figure in the technical developments regarding the Mind Switch. In addition Mr Perez Moses is developing new noise suppression techniques to be applied in this work.

Berger, H. 1967. On the electroencephalogram of man (trans. by P. Gloor). EEG Clin. Neurophysiol., Suppl. 28:1-350
Geddes, L. A. and Baker, L. E. 1989. Principles of applied biomedical instrumentation 3rd ed. (Wiley, New York): pp726-727

Les Kirkup demonstrates the Mind Switch by controlling a slot car set

PUBLICATIONS

Papers detailing our work have not appeared so far in the peer reviewed literature as we have been keen to secure funding for a patent to cover the intellectual property associated with the principles and the technology. We now have that funding. We are now in the position to submit papers to journals and it is our intention to write letters to international journals giving details of our developments.

Applications

We see that the technology we have developed could be used in the following areas; As an aid to the disabled to increase their control over the environment. For entertainment purposes, for example in the development of 'mind controlled' toys such as robots, or perhaps interaction with video games. As a fundamental element of the 'house of the future' in which (perhaps) a central computer responds to variations in brain signals and allows control of, for example, a security system or telephone.

It is the first application that we are concentrating on at present and have attracted grant money to partially support a three year development program in this area.

Current Developments

We are currently at the stage of testing a system that will allow a person to switch on or off up to six items. We see this as moving towards a system that could be tested in the house of a disabled person and give them control over a number of electrically operated appliances.

We are also investigating the nature and extent of the control that a range of people are able to show. This would allow us to decide where to best place electrodes on the scalp, and what adjustments might be required to customise the system to an individual.

Future Prospects

As well as technological development aimed at reducing the time it takes a person to activate an appliance and devising an improved noise suppression system, the most exciting prospect at the moment is the possible identification of another switch in the head that operates on quite a different principle. If we can confirm this and use the 'new switch' in conjunction with the one already developed, we might be able to offer the possibility of the brain sending codes that would allow many devices to be selected quickly - watch this space!

Many people have shown interest in the work the team is doing. Recently the Federal Minister for Science and Technology, Peter McGauran, visited UTS specifically to talk to the team and experience the technology first hand.

These Pages maintained by Andrew Searle. Any comments or feedback welcome.

Mind Controlled Computer Programs?

A catalog came in the mail recently with some novel products. Chief among these was a small black box with a cable leading to a sensor module that attaches to your finger. You hook the box into your computer and it reads directed bio signals. It looks like one of those \$15 Radio Shack lie detector circuits but the ad indicates there is more to it. KeelyNet does have a biology section and I am forever fascinated by interacting with machines by thought. I think such devices might be used as superb bio-feedback training techniques, especially in a game form. Here is the copy;

'The MindDrive'

a revolution in thought-controlled computing!

Forget keyboards, mice and joysticks! Now you can control your computer using only the power of your mind!

Imagine running a program by simply thinking. Imagine painting a picture with your innermost thoughts. Or imagine using your emotions and moods to compose a symphony. Now you can do all this and oh so much more, with the power of your mind. It's easy with MindDrive, the first ever thought-controlled computer interface.

MindDrive uses patented technology to sense the bio-electric signals created by your every thought and emotion (much like a lie detector does). Then its advanced artificial intelligence transforms those signals into commands your computer can understand. You simply slip the comfortable, light-weight sensor onto any finger and let your mind do all the work. With MindDrive's specially designed "mind" games, the whole family can thrill to thought-controlled excitement. You can even use MindDrive to improve your memory and concentration. Unleash the awesome power of your mind.

*** Run and control computer programs from your mind - no keyboard, mouse or joystick needed.**

*** Experience new dimensions in gaming excitement with thought-controlled "virtual reality" action.**

*** Improve your memory and concentration, and help relieve stress through bio-feedback.**

(This thing comes with a program CD called Skier.)

The MindDrive system is #82583 - \$149.99

Other program CDs are available;

Mindflight - aliens are destroying the Earth's atmosphere and only you and your 'mind-reading' FLYING PACK (right on the money!!!> Jerry) can stop them. Using ONLY YOUR THOUGHTS to control the action, you'll careen through canyons, rocket under bridges, soar around buildings, and blast the aliens out of the sky with your Thought Torpedoes, in a sense-shattering adventure unlike anything you've ever experienced.

*** Meticulously detailed 3-D, first-person perspective and a movie-like-story-line combine for hyper-realistic action.**

*** Thrilling flights send you careening through waterfalls, underground tunnels, twisting canyons, and more.**

*** Fully thought-controlled. Simply think of where you want to go and the game instantly responds to your thoughts.**

#82588 - \$39.95

FIB CD - Could you beat a lie detector test? Here's your chance to find out. FIB uses MindDrive's lie detector-like abilities to add an exciting new dimension to the classic game of Truth or Dare. You'll need nerves of steel (and pretty good mind control) if you plan to put one over on FIB. Let your facade slip just a little and you could end up with a two-foot long nose!

*** Test your skill as a "fibber" with 4 intriguing games of truth and deception or create your own game.**

*** Great for parties! You and your friends will have a ball finding out who's telling the truth...and who's not.**

*** Discover why lie detectors work (or don't work), and how your emotions give you away when you tell a fib.**

#82584 - \$39.95

Other MindDrive program CDs (all for Windows 95 or Windows

MindMusic - #82585 - \$34.95 / MindBowling - #82582 - \$34.95

MindGames - #82586 - \$24.95 / MindArt - #82587 - \$29.95

PinBallMind - #82589 - \$34.95

These items are available from a company called
PC Mall at 1-800-555-MALL or FAX (310) 225-4004
or InterNet <http://www.pc-mall.com/>

KeelyNet is not affiliated with any of these companies or organizations, this information is provided simply for your edification.

File Name : BLASTER5.ASC Online Date : 12/16/94 Contributed by : Royal Rife Dir Category : BIOLOGY From : KeelyNet BBS DataLine : (214) 324-3501 KeelyNet * PO BOX 870716 * Mesquite, Texas * USA * 75187 InterNet www.keelynet.com email jdecker@keelynet.com (Jerry Decker) A FREE Alternative Sciences BBS sponsored by Vanguard Sciences The following is a wonderful piece of work that we are honored to distribute. For those who might not be familiar with the work of Royal Rife, I suggest you download RIFE1, RIFE2, RIFE3 and RIFEFREQ. The files will provide you with sufficient information to form your own opinions and any experiments or actions you take after reading them, you do SOLELY at your own risk. KeelyNet, Vanguard Sciences, it's Sysops and Associates are in no way responsible for ANY actions YOU might CHOOSE to take after reading any material on KeelyNet. Ok, now that's out of the way. The BLASTER5 program was created and tested for the express purpose of offering a simple way for everyone to use the RIFE technology. It was written by a KeelyNet Associate who wishes to remain anonymous and we are grateful for his efforts and willingness to share his work and experimental results. ----- You understand how resonance can shatter

a glass? Well, the same principle applies to mass, including living tissue and organs. Tune to that mass aggregate resonance and project an amplified signal and you can blow it up. You don't believe it? I have seen video tape (which we will try to set up in future as an animation file) of paramecia being 'exploded' by purely sonic frequencies. At their resonant peaks, the critters stop and vibrate. As the amplitude of the signal is increased, they begin to swell and flatten until their outer membrane pops, spilling all the guts. From that point, believe it, they are dead. Further research claims to have found certain CONDITIONS to also be responsive to specific aggregate resonances. For a better understanding of the principles involved, I suggest you also read NEUTRAL1.ASC on KeelyNet, with particular attention to the concept of the neutral center AND the tetractys. -----

----- This is the way the BLASTER5 program was used. 1. Open your computer case and disconnect the SPEAKER wires. 2. Get an RCA audio jack, drill a hole in the rear of your computer and mount it. 3. Attach the two computer wires to the audio jack. 4. Construct a pair of single wire electrodes, where one wire leads from each electrode to be joined in an audio jack (see electrode construction details at end of this file) 5. The computer speaker jack is connected by an audio cable to any audio amplifier (Radio Shack has several). This is used to amplify the computer speaker signal. 6. The electrode wire (which drives TWO one wire electrodes) is connected to the output of the audio amplifier. -----

Public Domain Information Regarding Experimentation with Resonant Frequencies 1. In general, the frequencies pass through the path of least resistance between the electrodes. This pathway may be: A. Directly between the electrodes. B. Along conductive paths such as acupuncture meridians. C. Through conductive body fluids such as blood. D. Through body tissue containing saline fluids. E. Through the area directly under (touching) the electrodes. 2. Experimentation, therefore, is a combination of knowledge of these pathways, as well as a good deal of common sense. ie: an organism circulating the blood would be best encountered at a place in which the blood circulates in large quantities. Many experimenters have tried using electrodes on such places as: A. The feet, in order to resonate microbes that may reside in, or pass through the legs, feet and crotch area. B. The arms, in order to resonate microbes that may reside in, or pass through the arms or chest area. C. The buttocks, in order to resonate microbes that may reside in, or pass through the lower abdominal area. D. The back, in order to resonate microbes that may reside in, or pass through the chest area. E. Directly on surface lesions, in order to resonate microbes residing in the infected area. F. On either side of the neck, or throat, in order to resonate microbes residing in the throat or neck area. G. On both cheeks, in order to resonate microbes residing in the mouth area. H. On either side of the stomach, in order to resonate microbes in the stomach and intestine area. I. On either side of the nose, in order to resonate microbes in the sinus area. J. One electrode wire split off to two electrodes on the arms, and one electrode wire split off to two electrodes on the feet, in order to resonate microbes residing below the neck. K. Lying down on two long

electrodes that are side-by-side, separated by an insulator of duct tape or similar material. 3. Several application methods have been tried using stainless steel electrodes, such as: A. Electrodes bare against the skin. B. Electrodes covered with separate washcloths damp with epsom salt water. C. Electrodes covered with separate sponges damp with epsom salt water. D. Electrodes submerged in separate pans of warm epsom salt water. E. Use of a large and a small electrode, for concentrating the frequency at the site of the smaller of the two electrodes. 4. Several timetables have been used by experimenters in various circumstances, including: A. 5 minutes per frequency, with several or all suspect frequencies being used. B. Several frequency applications per day in the case of microorganisms that would normally "run their course" die out in several weeks or less on their own. C. 3 to 5 minutes per frequency once every third day for 60- 90 days on microorganisms that will not die out on their own. 5. Several general sources of information that may be helpful are: A. John F. Crane's Polarity Research Manual.* B. Any acupuncture books with meridian charts. C. Any literature regarding electrode placement of galvanic stimulators. **IMPORTANT NOTES AND CONSIDERATIONS:** If damp cloths or sponges are to be used with the electrodes, take care to use separate cloths, for each electrode. If this is not done, and one cloth is placed over both electrodes, the frequency will pass directly from one electrode to the other through the damp cloth or sponge, and bypass entirely the tissue that is the intended target of the frequency. This same principle applies when using pans of epsom salt water. Do not place both electrodes in the same pan of salt water. If both electrodes are placed in the same pan of salt water, you are shorting the electrodes through the epsom salt water, and the frequency will pass through the water, and not through the intended tissue. Do not touch the metal electrodes together while the frequency is turned on, or you risk damaging your equipment. Many experimenters do not realize that it may take 60 to 90 days to reach most or all of the targeted microorganisms with an experimental electrode system. * The Polarity Research Manual is available @ \$125.00 from: Update : John Crane died in 1995! John F. Crane 4246 Pepper Drive San Diego, CA 92105 **Electrode Construction Details** Estimated size of each electrode is 4" X 5" You will need to construct two of these electrodes. Buy about one yard of soft terry cloth fabric. Buy a couple of strips of velcro fastener material to seal the terry cloth pouch that you will sew. Buy two CELLULOSE sponge pads PER ELECTRODE (4 total), about 1/4 to 1/2 inch thick. Don't use artificial sponges as they are not sufficiently conductive. You can use sheet metal, aluminum or stainless steel sheets for the conductive plates that go on the inside of the terry cloth electrodes. Cut the terry cloth and sew into a flat pouch, open on one end. Solder a single insulated stranded wire to a metal plate, sandwich the plate between the two cellulose sponges and insert into the pouch. Attach velcro so that the pouch can be closed. The other end of the wire connects to one leg of the audio jack (one electrode wire per audio jack leg) that plugs into the output of the audio amplifier. The audio jack will have two legs, one leg for each of the two speaker wires. To use, dip in an epsom salt/water solution and lightly wring out. These electrodes are then placed on either side of the area to be zapped. |----- wire soldered to plate Electrode Sponge Sandwich