

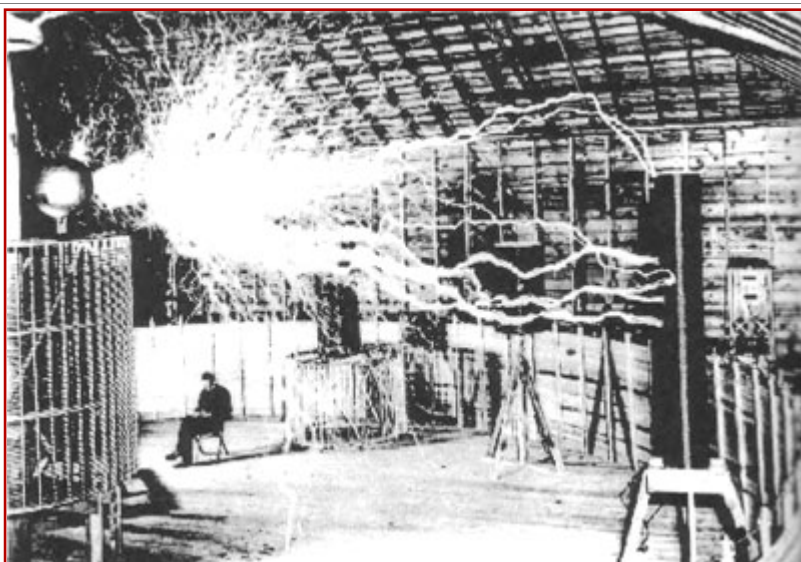
## Scalar Waves and Tesla Shields

Nikola Tesla - Father Of "Star Wars"?

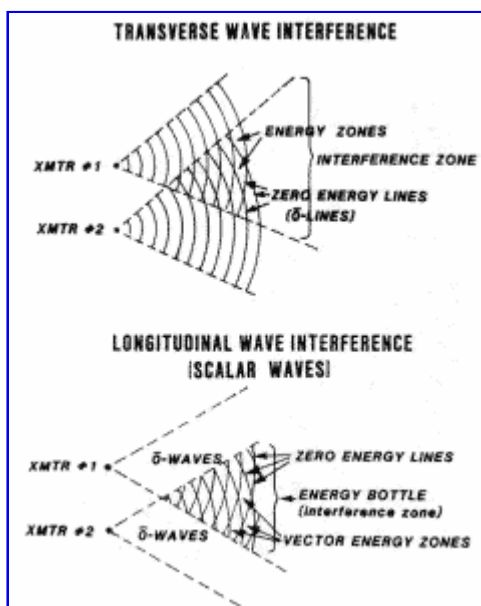


**Tesla's Wardencliff Tower at Montauk Point, Long Island, New York.**





Tesla at his Colorado Springs laboratory, 1899.



Thomas Bearden's diagrams of longitudinal wave interference: according to Bearden, these radio waves, known as scalar waves, are far more destructive, and easy to use than lasers. Is this the real system that the USA plans to put in space?

In recent years the proposal of a "Star Wars" system in space has gained a great deal of momentum and controversy. This proposed system is said to be the ultimate system to insure the security of the United States--and the world, at least by those who propose it. Those fighting against it maintain that it is not technically feasible.

Supporters in the Reagan Administration propose a system that would work like this: when Soviet ICBM missies, loaded with their nuclear payloads, are launched at the U.S., the "Star Wars" system, hovering in space, would fire super-high powered Lasers at the missiles while they are still in the air, thereby disabling them. These super-high powered Lasers would be powered by small atomic explosions within the "Star Wars" satellites themselves.

Critics charge that Laser technology has not advanced enough to enable the United States, or any country, to pull off such a feat. Yet another alternative rarely discussed in the media is available, and it is a technology fifty years old, invented by Nikola Tesla, the electrical genius who lit the world: Scalar Waves!

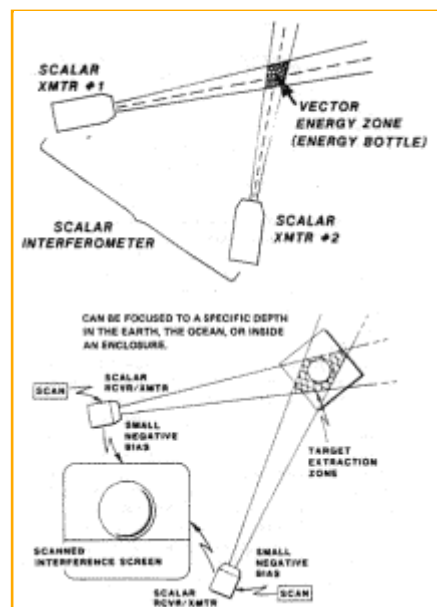
Scalar Waves are a form of radio waves creating what is known as Longitudinal Wave Interference. Where two Scalar Waves meet, an energy bottle is created which disintegrates all matter within that bottle, producing what is in effect a miniature atomic explosion but without any resulting radiation.

Thomas Bearden, a retired Pentagon war games expert and active consulting engineer to the Defense Department, has written a number of papers on Scalar Wave systems and often lectures on Scalar Waves at Alternative Energy conferences. According to Bearden, the Soviets are way ahead of the U.S. in Scalar Wave technology and are already using it against the U.S.

Scalar Wave technology is apparently very real and deadly. Furthermore, it is a great deal more simple to use than Lasers, far more effective, and does not require mini-atomic explosions to power it. Is it possible that Scalar "Howitzers," as Bearden calls them, is the real system that the Pentagon would like to put into space? What applications might such a system have?

The Pentagon has insisted so far that their proposed "Star Wars" program is entirely defensive, designed to protect the

U.S. from a nuclear attack. Incredibly, Ronald Reagan even said in a press conference once that after the United States had built their "Star Wars" system, they would give it to the Russians, who would then build their own system in space, so the world would be theoretically safe from nuclear war for ever more! Reagan later said in another news conference that maybe this wasn't such a good idea after all.



**Where two scalar waves meet, an energy bottle is created, and all matter within that bottle is disintegrated.**

**More effective than lasers?**

**What is the real purpose behind star wars?**

When a "Stars Wars" system using Scalar Wave technology is activated, its uses are in fact more "offensive" than "defensive." If Scalar Wave weapons are real, they are a weapon of such incredible power and versatility, then no one on our planet would be safe from them. Given the proper coordinates, the Scalar transmitters located on satellites in space could disintegrate any target on the planet, be it a missile, enemy base, rioting city district, farm house or persons gathering in a park. Such a "Star Wars" system would be a literal "Death Star" in space! Its uses could be population control, extermination, and military domination of an entire planet. George Lucas may be more of a prophet than he realizes.

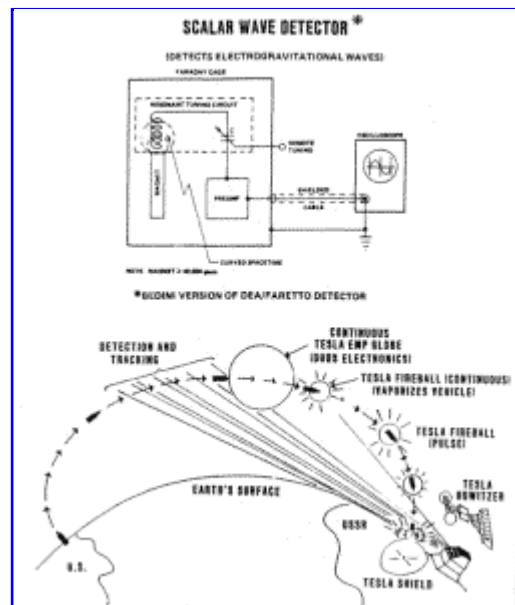
On the brighter side, Scalar Waves can be warped into a dome around objects, such as cities or houses (publishing companies included). Such a Scalar Wave force field is generally known as a Tesla Shield, and it would be analogous to the "shields" referred to in the popular "Star Trek" series. Tesla

Shields have a definite defensive application, and could not in any way be used for offensive purposes (although a platoon of soldiers charging into a Tesla Shield would be instantly disintegrated). The only defense from a blast of a Scalar Wave Howitzer would be a Tesla Shield.

Therefore, those persons wishing to use Scalar Waves on an unsuspecting population would rather that they were unaware of this technology, and thereby unable to protect themselves by use of the same technology. Is this the reason that the Pentagon does not discuss Scalar Wave technology, but rather maintains that they are going to use impractical Laser technology instead?

Scalar Wave Technology is straight out of science-fiction, yet it was invented more than fifty years ago by Nikola Tesla (see the article by Nikola Tesla in *The Anti-Gravity Handbook*). Another interesting application of Scalar Wave technology is its use in "Light Sabers." If a Scalar Wave emanates from a gripable handle and then is bent back on itself, it would become exactly like a "Light Saber" as depicted in the "Star Wars" movies featuring Jedi Knights (written and produced by George Lucas).

Are Scalar Waves a real technology? Do the Soviets have this technology? Assuredly so. The Americans do as well. The secret American base at Pine Gap in Central Australia is said to have two Scalar Wave towers in it already. We urge readers to read some of the biographies of Nikola Tesla. Does the Pentagon really plan to put Scalar Wave Howitzers into space? If so, is it purely for defensive purposes? In the following articles and diagrams, the reality of Scalar Waves will be demonstrated.



**Bearden's idea of a scalar wave-Tesla howitzer in action. Imagine this system hovering above our planet in space - the US military would rather that you didn't.**

**Note the Tesla shield at the bottom of the drawing.**

**A Tesla shield is essentially a scalar energy bottle warped around an object, such as the scalar howitzer itself or even a city, creating an impenetrable force field.**





## TESLA SCALAR WAVE SYSTEMS: THE EARTH AS A CAPACITOR

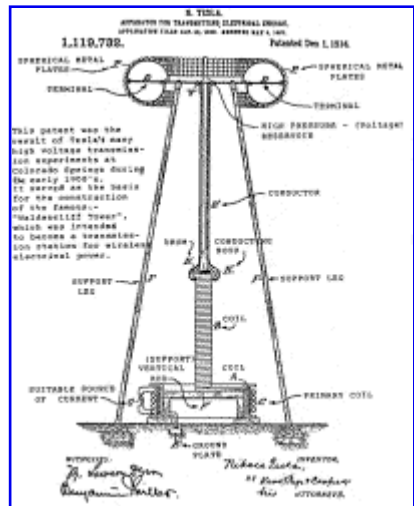
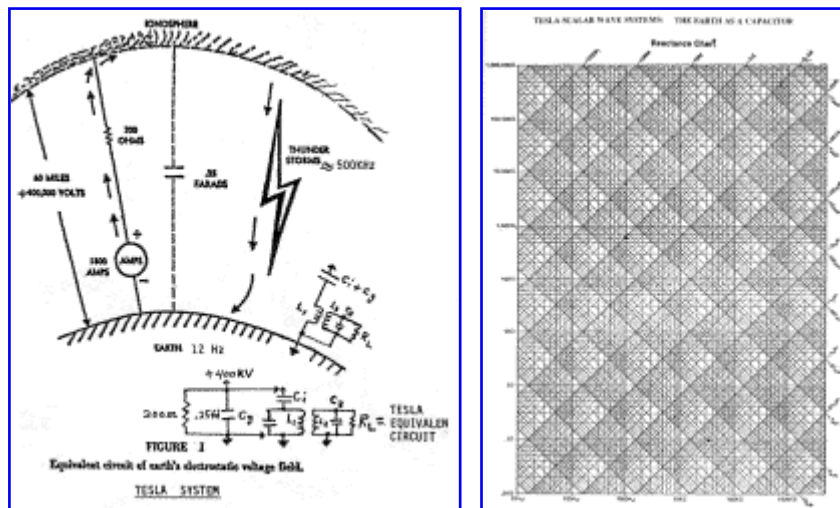
by Richard L. Clark

Nikola Tesla engineered his communications and power broadcast systems based on the Earth as a spherical capacitor plate with the ionosphere as the other plate. The frequencies that work best with this system are 12 Hz and its harmonics and the "storm" frequency around 500 KHz. The basic Earth electrostatic system and the basic Tesla designs are shown in the figure below. All lengths or circuits must be one-quarter wavelength or some odd multiple of it.

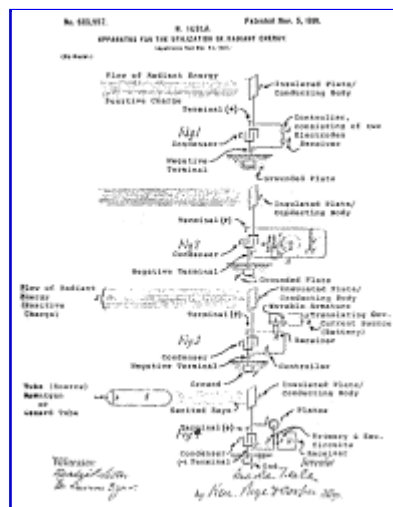
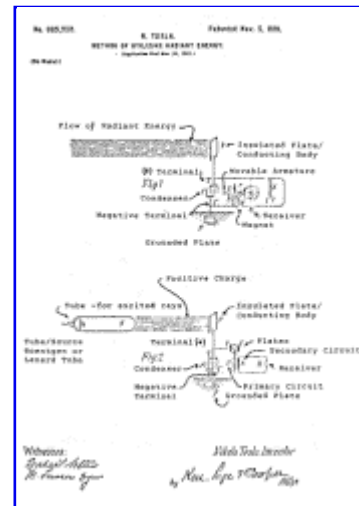
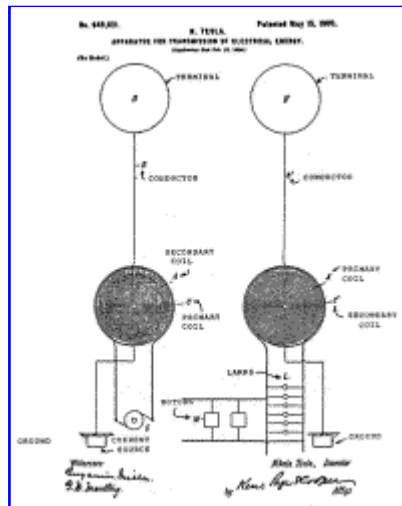
The elevated capacitor has really "two functions."

- Capacity to Ground ( $C_g$ )
- Capacity to Ionosphere ( $C_i$ )

The bottom plate only to ground is  $C_g$ , and both plates are  $C_i$ . L2 and C3 are a resonant step-down air core coupling system at the desired frequency. Simple calculations will allow resonant frequency values to be determined from the Tesla Equivalent Circuit diagram. Be extremely careful of the high voltages in this system.



Some Tesla patents for the electrical apparatus for transmitting electricity-the foundation of Tesla Shields and Scalar Waves.



The Daily Journal, Khabarov, Ek, Wednesday, August 27, 1946

### Soviet Union claims it can neutralize U.S. 'Star Wars'

MOSCOW (UPI) — The Soviet Union says it can deploy cheap and effective countermeasures to neutralize the "Star Wars" space-based defense system, a senior Soviet nuclear scientist said today.

"We cannot allow it an effective "Star Wars" system," Vitaliy Goldensky, a member of the Academy of Sciences and the Committee of Scientists for Peace, told a Moscow news conference.

"If we want to talk concretely about technical measures to be taken to neutralize this defense, it is very clear first and foremost, that it is much easier to neutralize stationary objects launched into orbit rather than fast moving objects like nuclear missiles," Goldensky said. "This method would involve space mines that would in a certain period of time be directed for the purpose of neutralizing the aerospace space defense. I would say this is a much cheaper way than "Star Wars!," Goldensky said.

Although it appeared in the English language interpretation as a direct reference to space "mines," a review of the Russian language tape showed Goldensky used the general term space "miners."

He said while the United States was spending billions of dollars developing the Strategic Defense Initiative, or "Star Wars," the Soviet Union could easily counter without causing any damage to its economy.

"U.S. hopes to make the Soviet national economy bankrupt due to the arms race and anti-missile defense are futile because it is easy to find effective countermeasures to an ABM (anti-ballistic missile) program, which are cheaper — without the serious economic expenditure of billions of dollars that is planned in the United States," Goldensky said.

The Soviet Union has hinted at other ways of reducing the multi-billion-dollar "Star Wars" program to "nothing more" — such as overwhelming it with dummy missiles and control rockets at a cost of just 3 percent to 2 percent of the U.S. defense program.

Monday, Soviet Chief of Staff Marshal Sergei Akhromeyev said the Kremlin would come up with a surprise response to "Star Wars" that would send Washington scurrying to find another space-based system.

"If it is necessary we will find a quick answer and it will not be the way the United States expects it. It will be an answer that demotes the "Star Wars" program," Akhromeyev said.

[Back to Contents - Antigravity And The World Grid](#)

[Back to Nikola Tesla](#)